



(19) **United States**

(12) **Patent Application Publication**
Newman et al.

(10) **Pub. No.: US 2023/0021575 A1**

(43) **Pub. Date: Jan. 26, 2023**

(54) **GEOGRAPHICAL LOCALIZATION OF 5G/6G NETWORK USERS AND BASE STATIONS**

H04W 64/00 (2006.01)

G01S 5/00 (2006.01)

H04W 16/28 (2006.01)

(71) Applicants: **David E. Newman**, Poway, CA (US);
R. Kemp Massengill, Palos Verdes, CA (US)

H04W 52/08 (2006.01)

H04W 52/22 (2006.01)

(52) **U.S. Cl.**

CPC *H04B 7/01* (2013.01); *H04W 72/048*

(2013.01); *H04L 1/0003* (2013.01); *H04W*

72/02 (2013.01); *H04W 72/0453* (2013.01);

H04W 52/282 (2013.01); *H04W 52/283*

(2013.01); *H04W 52/285* (2013.01); *H04W*

64/00 (2013.01); *G01S 5/0027* (2013.01);

G01S 5/0054 (2013.01); *H04W 16/28*

(2013.01); *H04W 64/003* (2013.01); *H04W*

64/006 (2013.01); *H04W 52/08* (2013.01);

H04W 52/225 (2013.01); *H04W 72/0473*

(2013.01); *H04W 28/0268* (2013.01)

(72) Inventors: **David E. Newman**, Poway, CA (US);
R. Kemp Massengill, Palos Verdes, CA (US)

(21) Appl. No.: **17/841,235**

(22) Filed: **Jun. 15, 2022**

Related U.S. Application Data

(63) Continuation of application No. 17/526,172, filed on Nov. 15, 2021, now Pat. No. 11,411,612.

(60) Provisional application No. 63/117,720, filed on Nov. 24, 2020, provisional application No. 63/118,156, filed on Nov. 25, 2020, provisional application No. 63/274,221, filed on Nov. 1, 2021, provisional application No. 63/276,139, filed on Nov. 5, 2021, provisional application No. 63/276,745, filed on Nov. 8, 2021, provisional application No. 63/278,578, filed on Nov. 12, 2021, provisional application No. 63/114,168, filed on Nov. 16, 2020.

Publication Classification

(51) **Int. Cl.**

H04B 7/01 (2006.01)

H04W 72/04 (2006.01)

H04L 1/00 (2006.01)

H04W 72/02 (2006.01)

H04W 52/28 (2006.01)

(57)

ABSTRACT

Disclosed are systems and methods for entities in a 5G or 6G wireless network to indicate their geographical location to other entities. A base station can inform the user devices of its antenna location so that the users can direct beams toward the antenna. Mobile users can update their location information to the base station so that the base station can direct beams toward the mobile users in real-time. For example, the base station can embed the latitude and longitude of the base station antenna in a system information message, such as an unallocated portion of the SSB (synchronization signal block) which is periodically broadcast, and the users can transmit location-update messages to the base station using disclosed formats. By directing transmission beams and reception beams toward each other, base stations and users can obtain substantially improved reception with reduced background generation and reduced energy consumption.

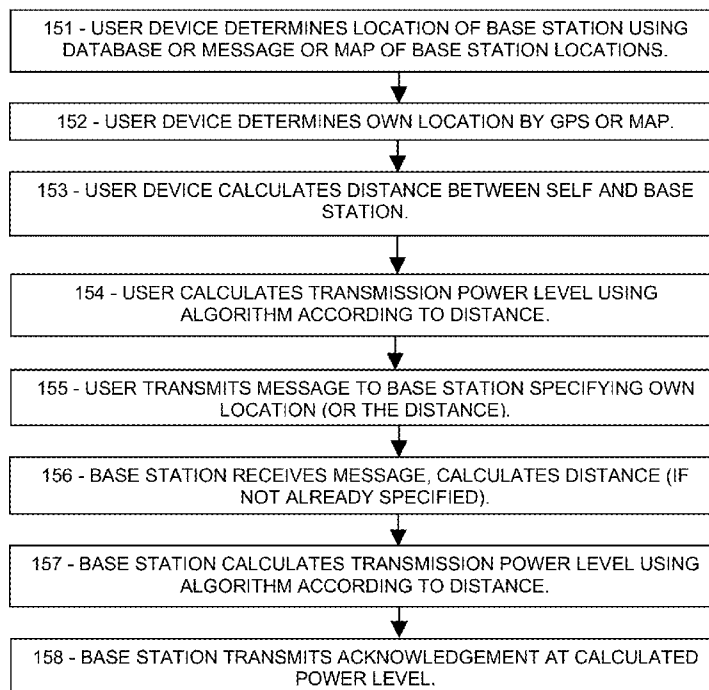


FIG. 1A

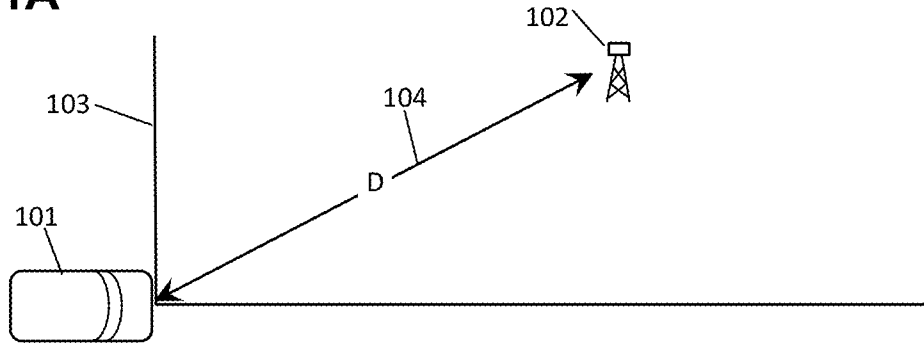


FIG. 1B

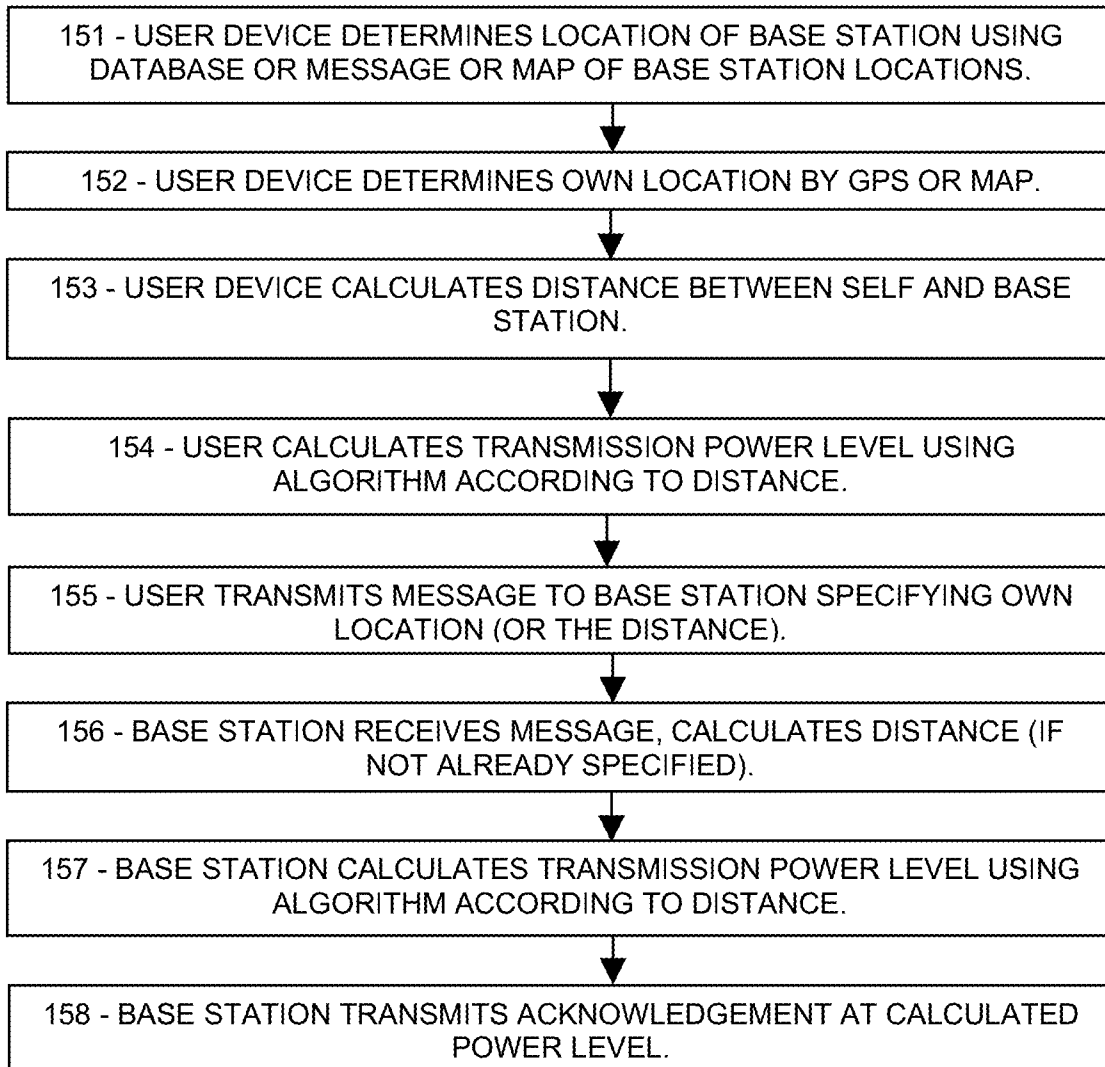


FIG. 2A

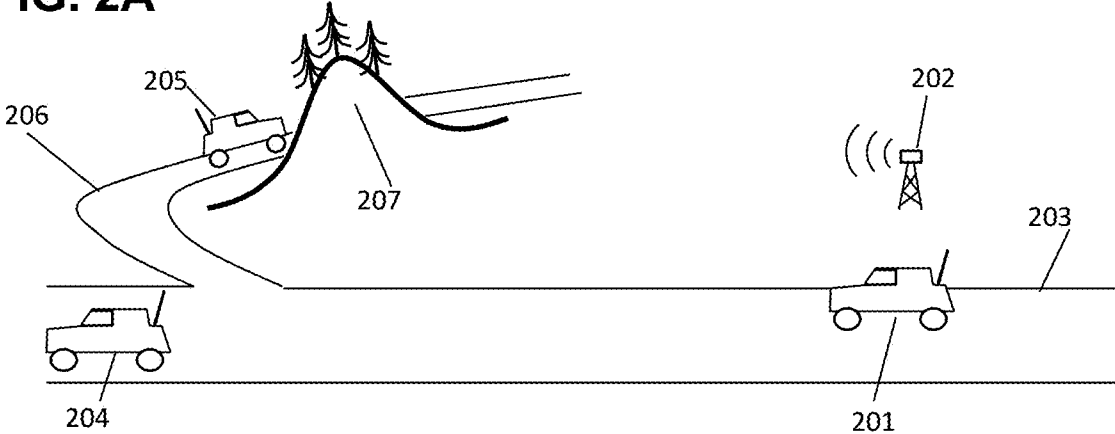


FIG. 2B

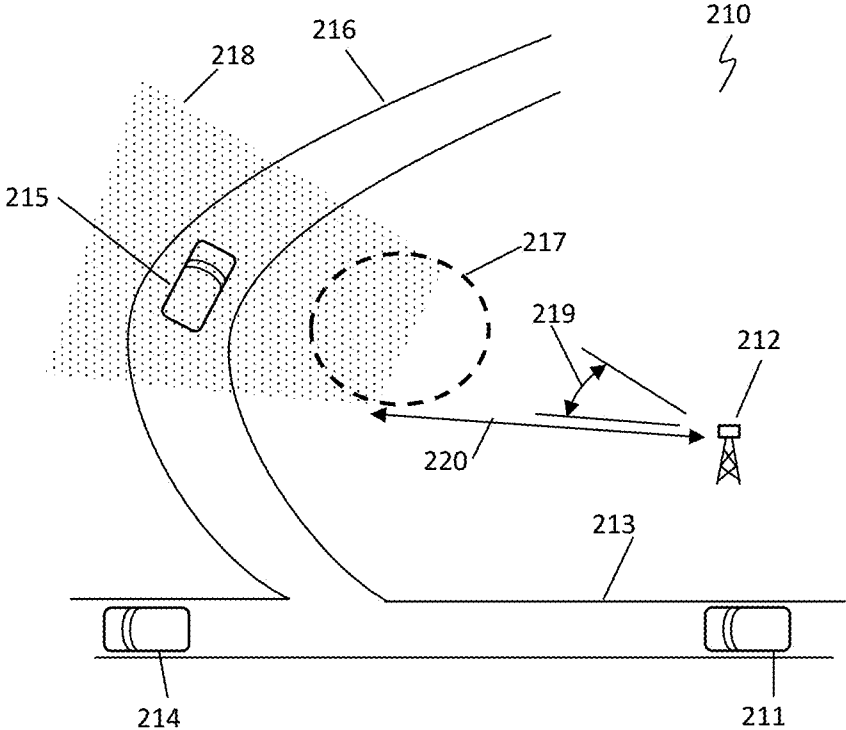


FIG. 2C

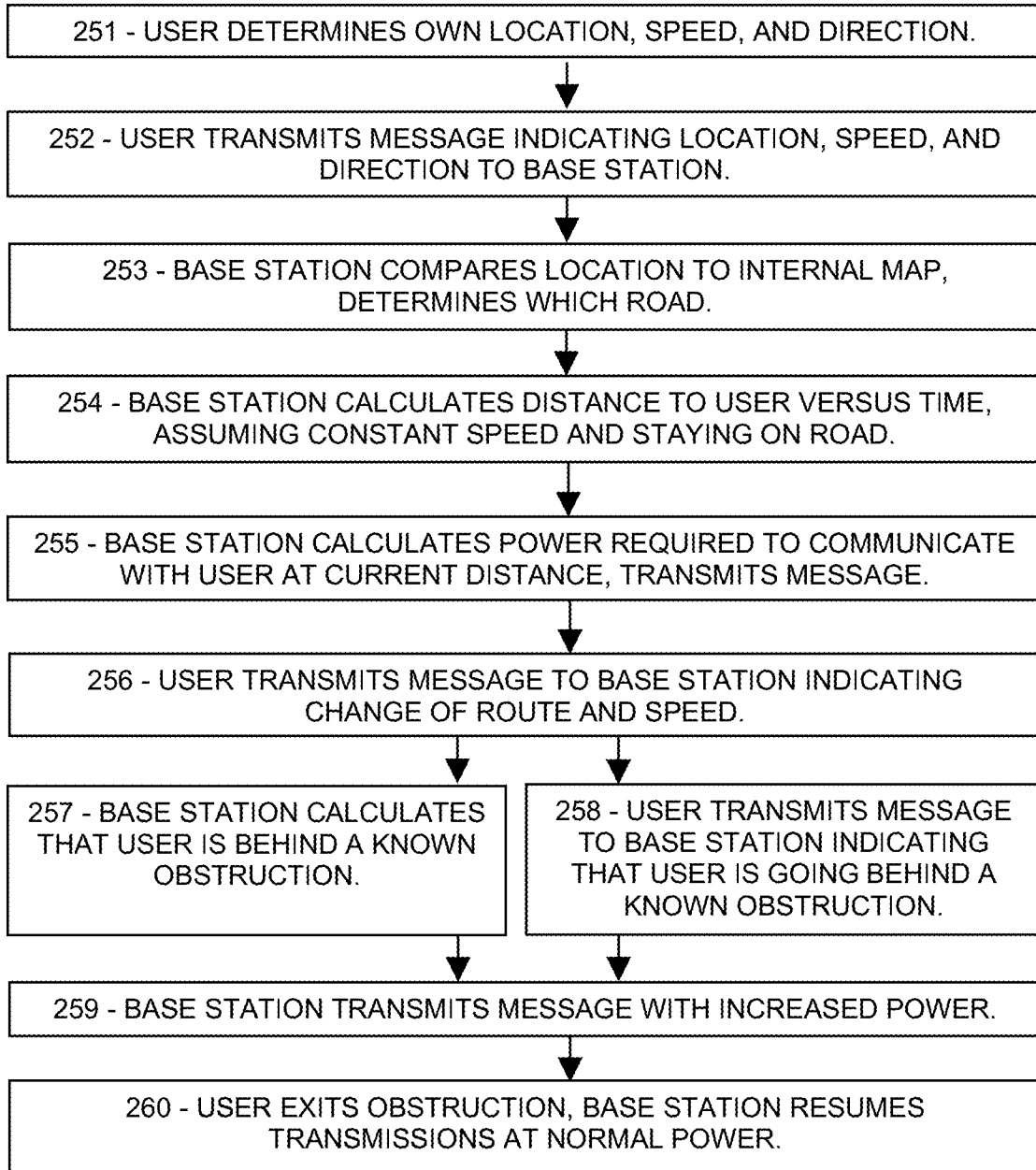


FIG. 3A

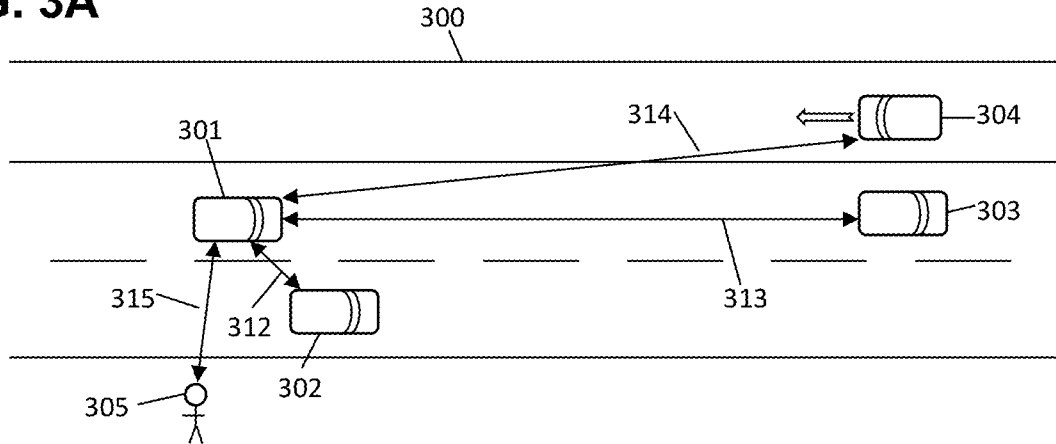


FIG. 3B

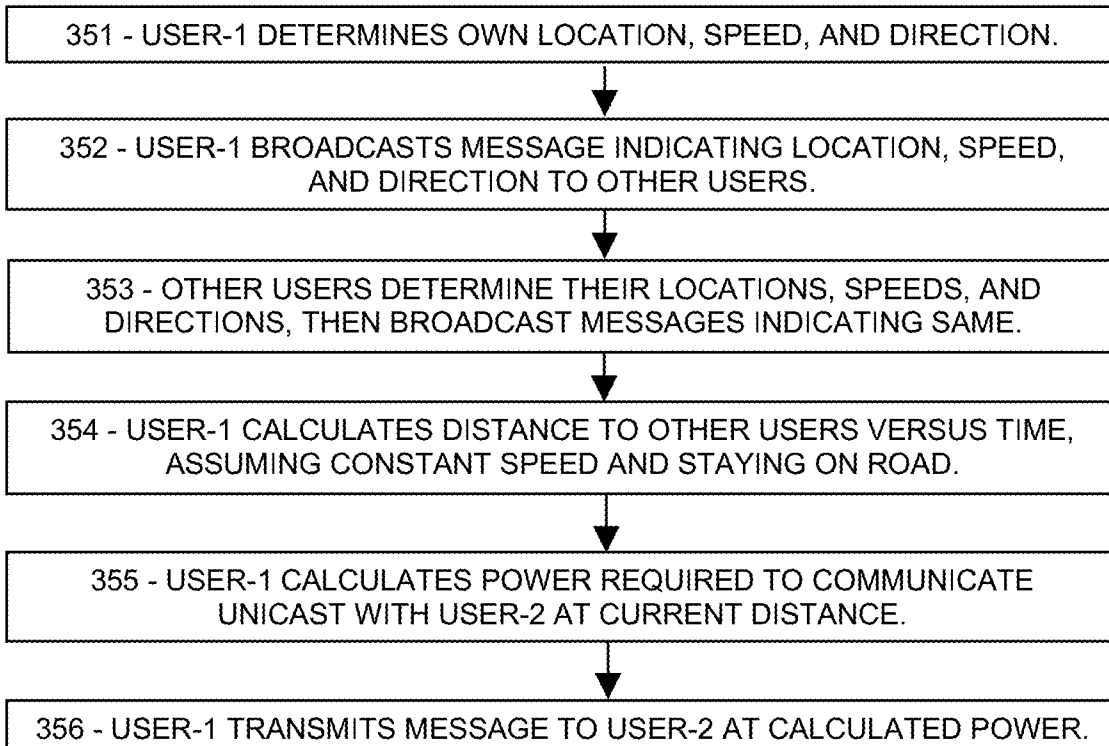


FIG. 4A

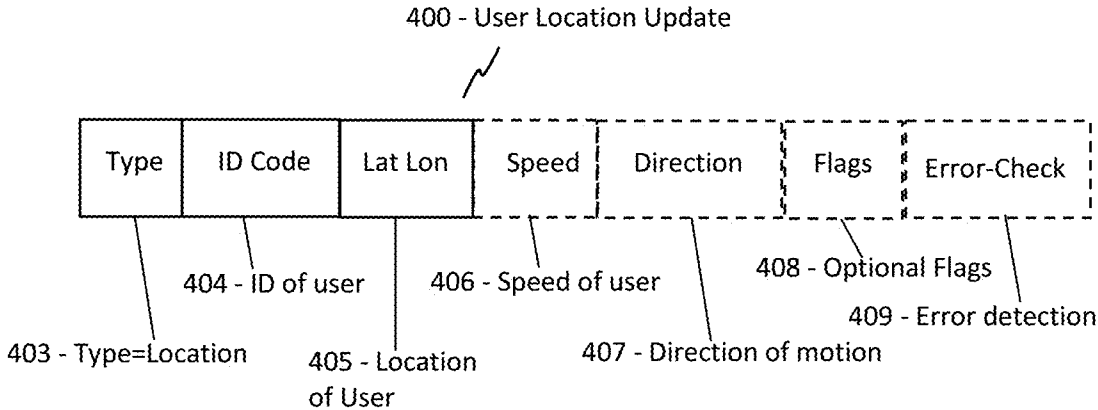


FIG. 4B

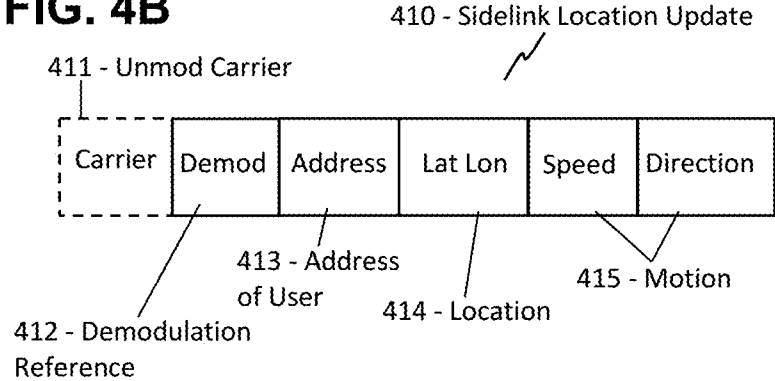


FIG. 5A

500 - Synchronization Signal Block

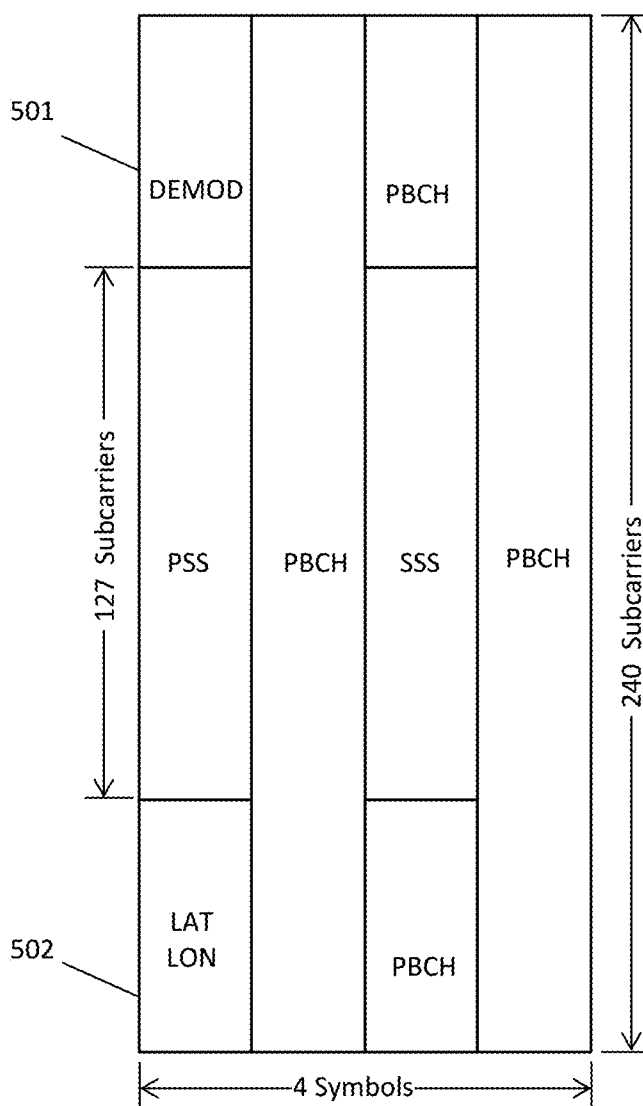


FIG. 5B

510 - Synchronization Signal Block

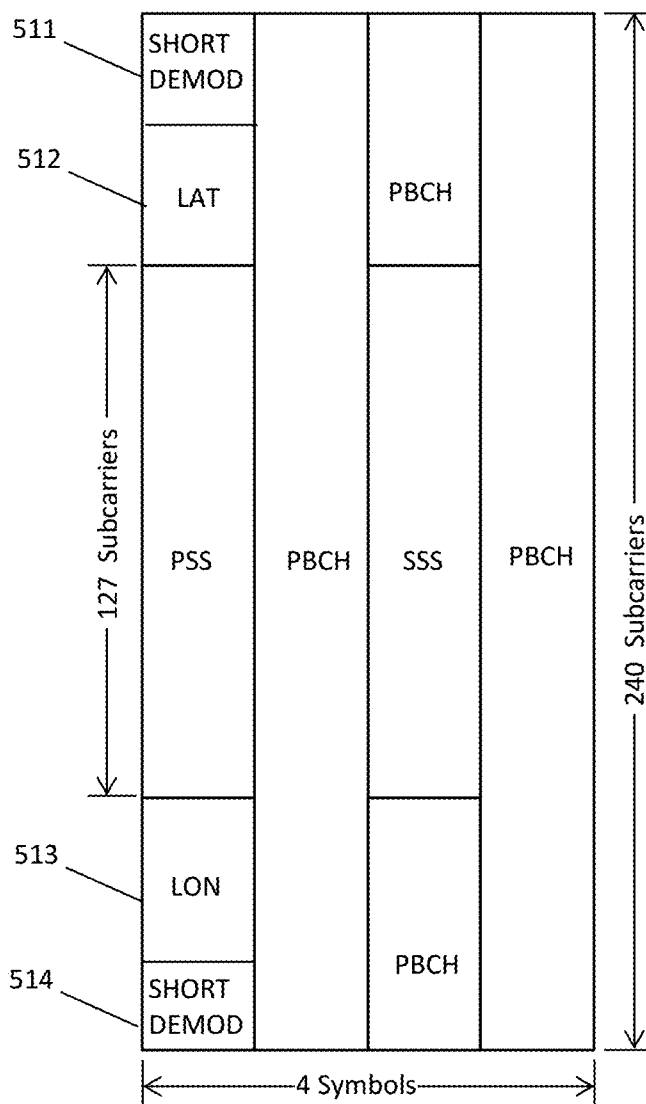


FIG. 5C

520 - Synchronization Signal Block

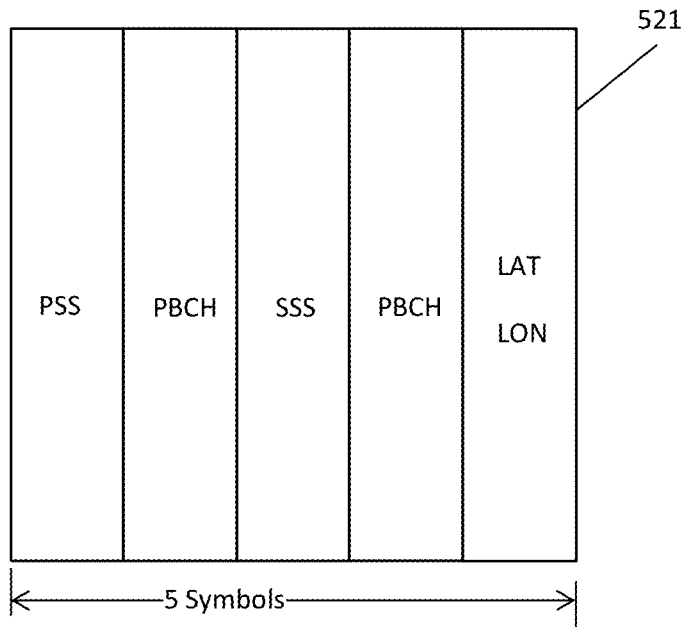


FIG. 6A

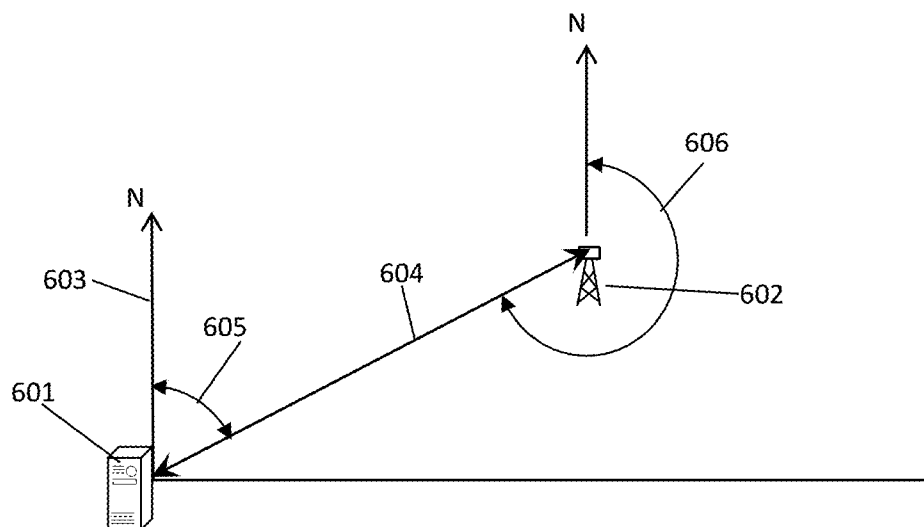


FIG. 6B

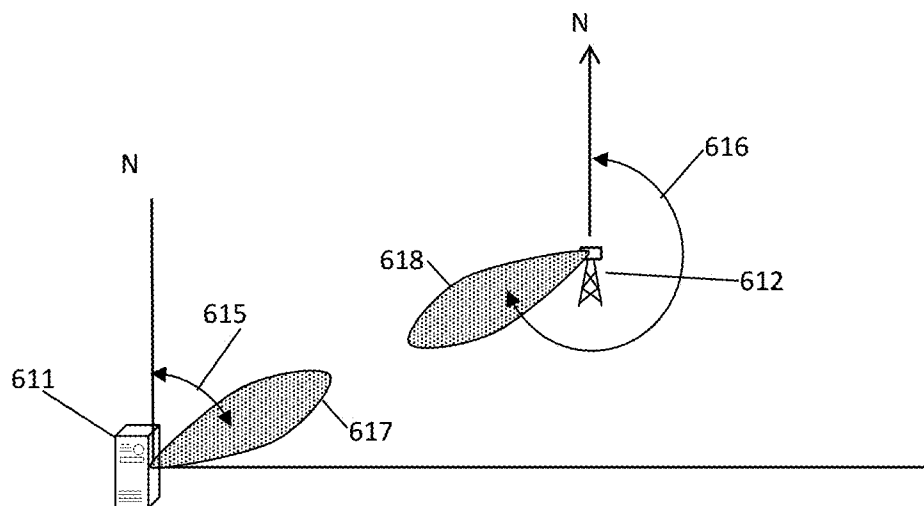


FIG. 6C

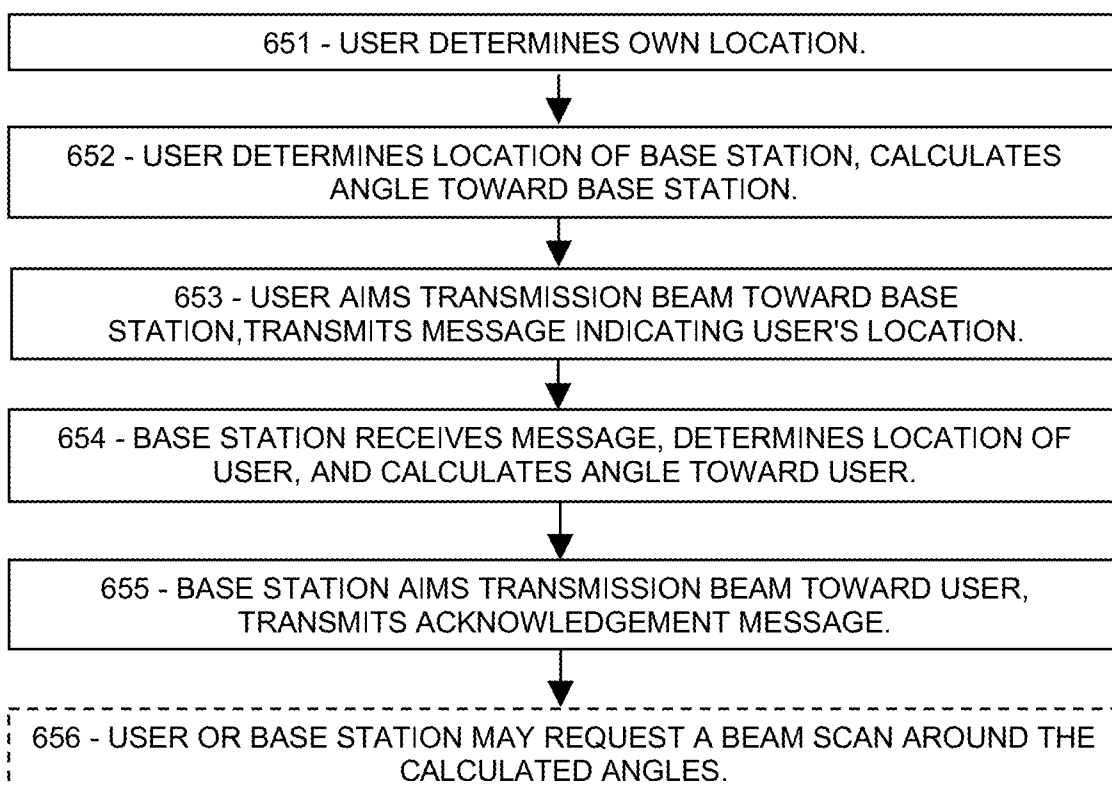


FIG. 7A

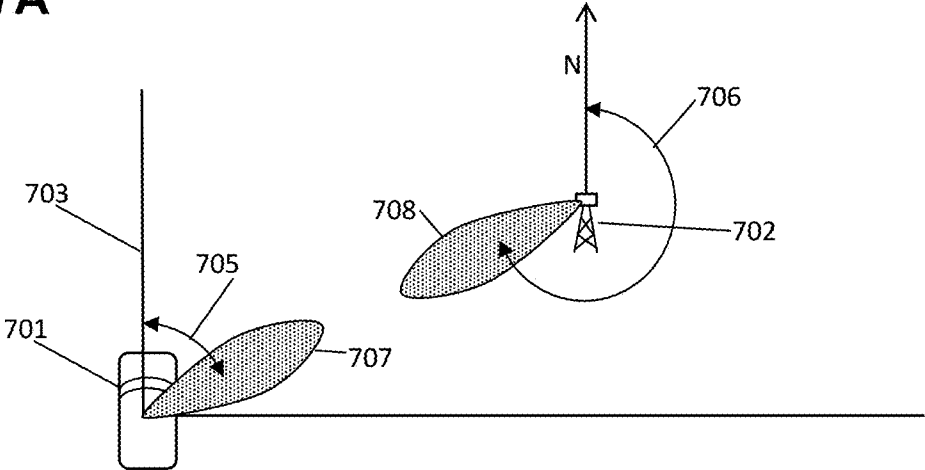


FIG. 7B

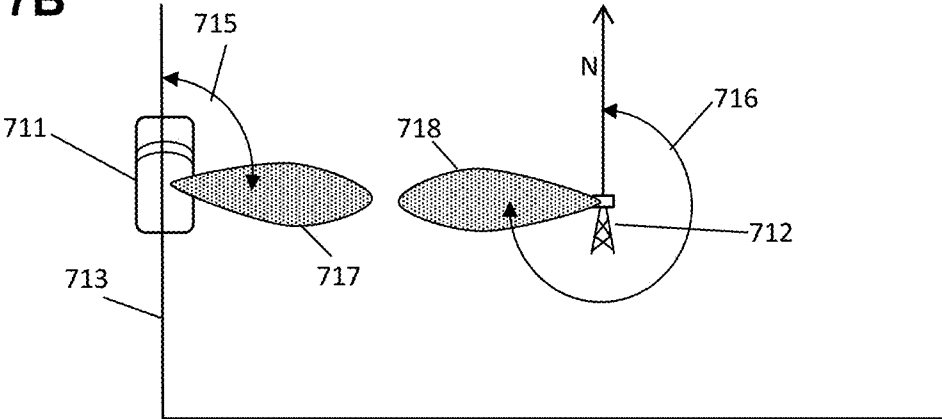


FIG. 7C

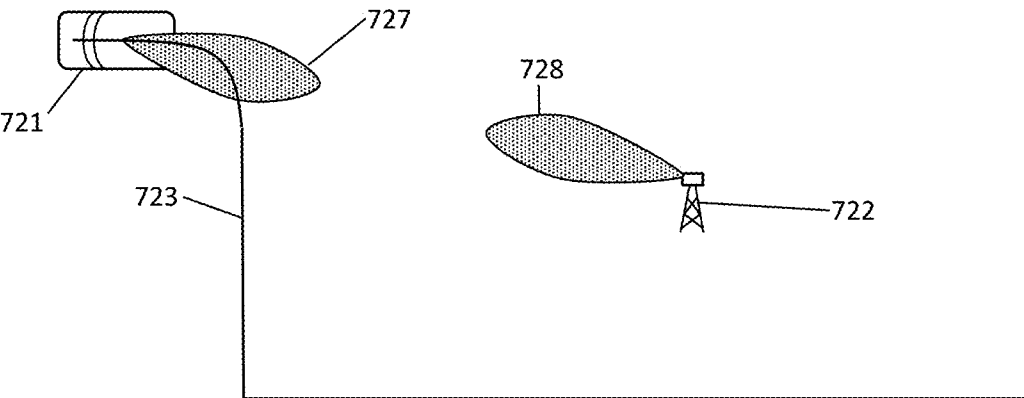


FIG. 7D

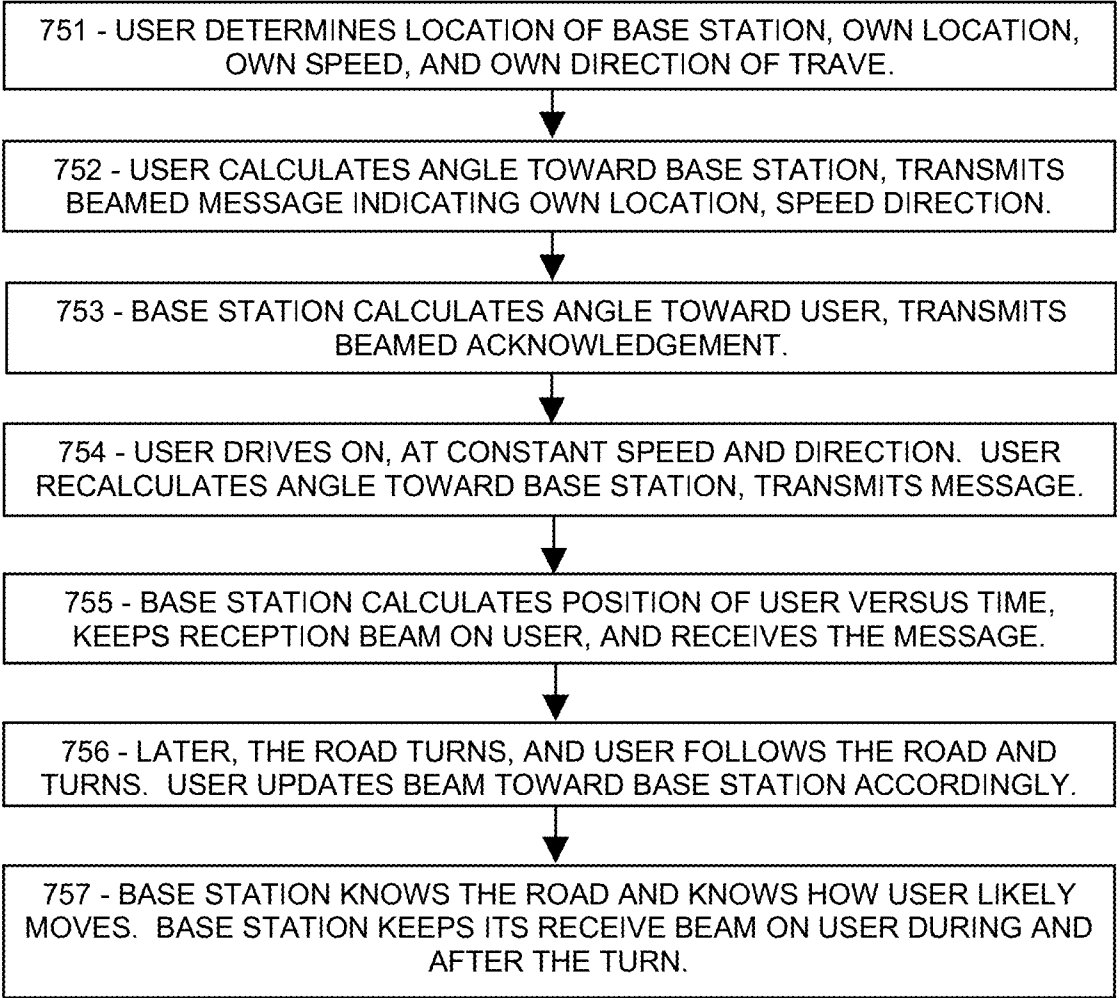


FIG. 8A

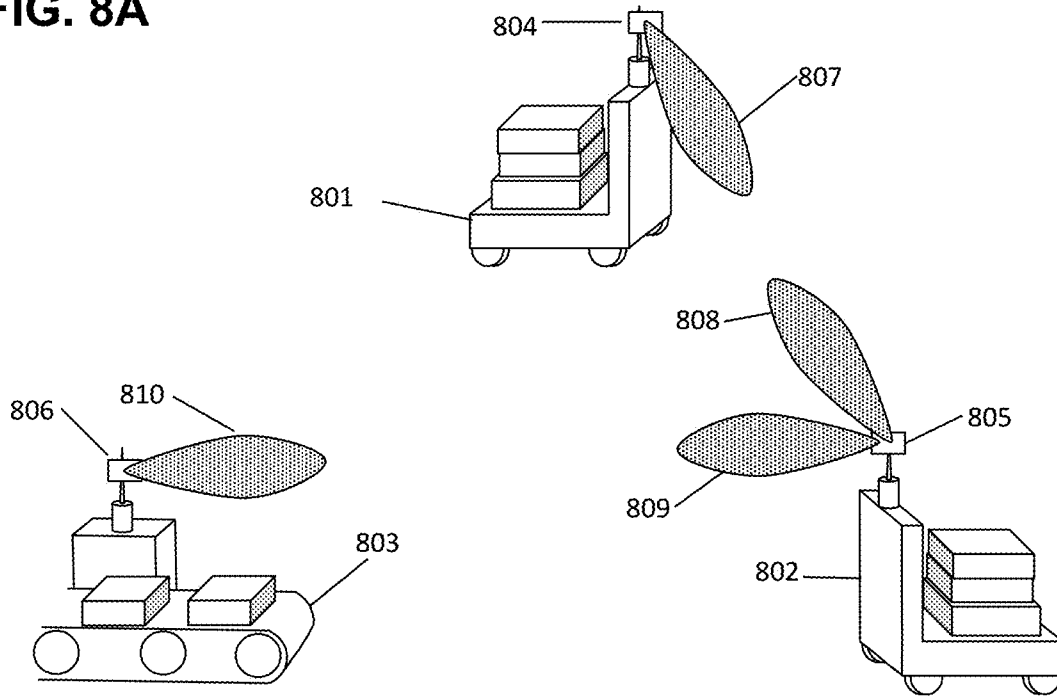
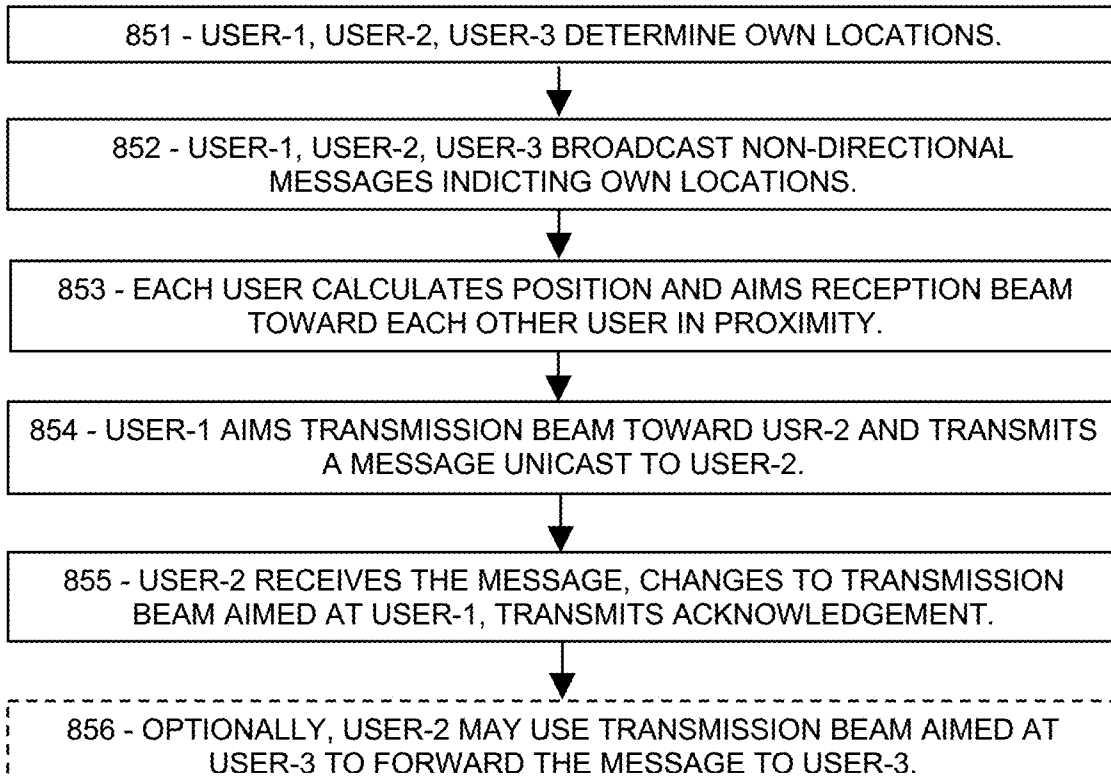


FIG. 8B



GEOGRAPHICAL LOCALIZATION OF 5G/6G NETWORK USERS AND BASE STATIONS

PRIORITY CLAIMS AND RELATED APPLICATIONS

[0001] This application is a continuation of U.S. patent application Ser. No. 17/526,172, entitled “Location-Based Beamforming for Rapid 5G and 6G Directional Messaging”, filed Nov. 15, 2021, which claims the benefit of U.S. Provisional Patent Application Ser. No. 63/144,168, entitled “High-Power Transmission of Priority Wireless Messages”, filed Nov. 16, 2020, and U.S. Provisional Patent Application Ser. No. 63/117,720, entitled “Automatic Frequency Correction for Wireless Mobile Communications”, filed Nov. 24, 2020, and U.S. Provisional Patent Application Ser. No. 63/118,156, entitled “Automatic Frequency Correction for Wireless Mobile Communications”, filed Nov. 25, 2020, and U.S. Provisional Patent Application Ser. No. 63/274,221, entitled “Rapid Doppler Correction for Mobile V2X Communication in 5G/6G”, filed Nov. 1, 2021, and U.S. Provisional Patent Application Ser. No. 63/276 139, entitled “Location-Based Power for High Reliability and Low Latency in 5G/6G”, filed Nov. 5, 2021, and U.S. Provisional Patent Application Ser. No. 63/276,745, entitled “AI-Based Power Allocation for Efficient 5G/6G Communications”, filed Nov. 8, 2021, and U.S. Provisional Patent Application Ser. No. 63/278,578, entitled “Location-Based Beamforming for Rapid 5G and 6G Directional Messaging”, filed Nov. 12, 2021, all of which are hereby incorporated by reference in their entireties.

FIELD OF THE INVENTION

[0002] Disclosed are systems and methods for a wireless entity to indicate its geographical location to another wireless entity.

BACKGROUND OF THE INVENTION

[0003] 5G and 6G provide for base stations and user devices to reduce energy consumption and interference using an electronically articulated antenna configured to have a maximum gain in a particular direction for transmission as well as reception. However, aligning the transmission or reception beam between two entities generally requires extensive scanning and feedback messaging between both entities, a significant consumption of time and energy. What is needed is means for base stations and user devices to align their transmission and reception beams in less time with fewer feedback messages.

[0004] This Background is provided to introduce a brief context for the Summary and Detailed Description that follow. This Background is not intended to be an aid in determining the scope of the claimed subject matter nor be viewed as limiting the claimed subject matter to implementations that solve any or all of the disadvantages or problems presented above.

SUMMARY OF THE INVENTION

[0005] In a first aspect, there is non-transitory computer-readable media in a base station of a wireless network comprising instructions that, when implemented, cause the base station to perform a method comprising: determining a particular location corresponding to the base station or to an antenna of the base station; and broadcasting a synchroni-

zation signal block (“SSB”) message comprising system information about the wireless network, and further comprising an indication of the particular location.

[0006] In another aspect, there is a method for aligning a first wireless transmission beam from a first mobile entity toward a second mobile entity, the method comprising: broadcasting, by the first mobile entity, a first informational message, the first informational message comprising data comprising properties of the first mobile entity, the first informational message further comprising a first location of the first mobile entity; receiving, from the second mobile entity, a second informational message, the second informational message comprising data comprising properties of the second mobile entity, the second informational message further comprising a second location of the second mobile entity; calculating, by the first mobile entity, according to the first location and the second location, an angle toward the second mobile entity from the first mobile entity; and transmitting, in a first transmission beam aimed according to the angle, a third message.

[0007] In another aspect, there is a user device of a wireless network, the user device in signal communication with a base station, the user device configured to: receive a system information message broadcast by the base station, the system information message comprising system information of the network, the system information message further comprising an indication of a particular location, the particular location corresponding to the base station or an antenna of the base station; and determine, from the system information message, the particular location.

[0008] This Summary is provided to introduce a selection of concepts in a simplified form. The concepts are further described in the Detailed Description section. Elements or steps other than those described in this Summary are possible, and no element or step is necessarily required. This Summary is not intended to identify key features or essential features of the claimed subject matter, nor is it intended for use as an aid in determining the scope of the claimed subject matter. The claimed subject matter is not limited to implementations that solve any or all disadvantages noted in any part of this disclosure.

[0009] These and other embodiments are described in further detail with reference to the figures and accompanying detailed description as provided below.

BRIEF DESCRIPTION OF THE DRAWINGS

[0010] FIG. 1A is a schematic showing an exemplary embodiment of a mobile user device communicating with a base station, according to some embodiments.

[0011] FIG. 1B is a flowchart showing an exemplary embodiment of a procedure for a mobile user device and a base station to adjust their transmission power levels, according to some embodiments.

[0012] FIG. 2A is a sketch showing an exemplary embodiment of a mobile user device passing by an obscuration, according to some embodiments.

[0013] FIG. 2B is a schematic showing an exemplary embodiment of a base station compensating for signal attenuation, according to some embodiments.

[0014] FIG. 2C is a flowchart showing an exemplary embodiment of a procedure for a mobile user device and a base station to compensate for signal obscuration, according to some embodiments.

[0015] FIG. 3A is a schematic showing an exemplary embodiment of vehicles communicating with power compensation, according to some embodiments.

[0016] FIG. 3B is a flowchart showing an exemplary embodiment of a procedure for mobile user devices to compensate for distance, according to some embodiments.

[0017] FIG. 4A is a schematic showing an exemplary embodiment of a message format for user devices to indicate locations to base stations, according to some embodiments.

[0018] FIG. 4B is a schematic showing an exemplary embodiment of a message format for user devices to indicate locations to other user devices, according to some embodiments.

[0019] FIG. 5A is a schematic showing an exemplary embodiment of a message format for base stations to indicate locations to user devices, according to some embodiments.

[0020] FIG. 5B is a schematic showing another exemplary embodiment of a message format for base stations to indicate locations to user devices, according to some embodiments.

[0021] FIG. 5C is a schematic showing an exemplary embodiment of a low-complexity message format for base stations to indicate locations to user devices, according to some embodiments.

[0022] FIG. 6A is a sketch showing an exemplary embodiment of a user device communicating with a base station, according to some embodiments.

[0023] FIG. 6B is a sketch showing an exemplary embodiment of a user device communicating with a base station using directed beams, according to some embodiments.

[0024] FIG. 6C is a flowchart showing an exemplary embodiment of a procedure for a user device to communicate with a base station using directed beams, according to some embodiments.

[0025] FIG. 7A is a sketch showing an exemplary embodiment of a mobile user device communicating with a base station using directed beams, according to some embodiments.

[0026] FIG. 7B is a sketch showing an exemplary embodiment of a mobile user device communicating with a base station using directed beams after moving, according to some embodiments.

[0027] FIG. 7C is a sketch showing an exemplary embodiment of a mobile user device communicating with a base station using directed beams after turning, according to some embodiments.

[0028] FIG. 7D is a flowchart showing an exemplary embodiment of a procedure for a mobile user device to communicate with a base station using directed beams, according to some embodiments.

[0029] FIG. 8A is a sketch showing an exemplary embodiment of mobile user devices communicating in sidelink using directed beams, according to some embodiments.

[0030] FIG. 8B is a flowchart showing an exemplary embodiment of a procedure for mobile user devices communicating in sidelink using directed beams, according to some embodiments.

[0031] Like reference numerals refer to like elements throughout.

DETAILED DESCRIPTION

[0032] Disclosed herein are systems and methods for a user device or a base station of a wireless 5G/6G network to

obtain enhanced message reliability by causing a transmitter to direct its emissions toward a recipient, and by causing a receiver to direct a maximum sensitivity toward a transmitting entity, based on the locations of the two entities. Systems and methods disclosed herein (the “systems” and “methods”, also occasionally termed “embodiments” or “arrangements” or “versions”, generally according to present principles) can provide urgently needed wireless communication protocols to adjust transmitter and receiver directionality, thereby saving energy, preventing message faults, enhancing message reliability, and providing low latency when required.

[0033] Most wireless communications are not transmitted at the maximum power available. Transmissions with power in excess of that required for reception would waste energy (a consideration particularly for battery-operated devices), generate heat, and potentially interfere with other users such as those in adjoining networks. When the density of users is high, the potential for noise and interference from other transmitters becomes increasingly problematic. Therefore, the base station usually directs each user to restrict its transmission amplitude based on the reception SNR or SINR (signal to interference and noise) received by the base station, and that amplitude is generally lower than the maximum power that the user’s transmitter could achieve. Likewise the users may send signal-quality reports back to the base station regarding the downlink signal quality received by the users, and those reports may enable the base station to adjust its own transmission power to be just sufficient for reception by each user. By this feedback, the base station transmitter power is usually set well below its full transmitter capability, which thereby avoids wasting power and interfering with other networks. However, in some cases, a user may need enhanced communication reliability or reduced latency, especially when reception deteriorates due to long range or an obstruction, for example. In those cases it may be advantageous to enhance communication reliability and avoid retransmission delays by automatically increasing the transmission power above the level normally allowed or normally employed, without the need for a power scan with feedback messages and the like. If the condition necessitating the power increase then subsides, the transmission power can be automatically returned to normal, according to some embodiments.

[0034] Terms herein generally follow 3GPP (third generation partnership project) standards, but with clarification where needed to resolve ambiguities. As used herein, “5G” represents fifth-generation and “6G” sixth-generation wireless technology. A network (or cell or LAN or local area network or the like) may include a base station (or gNB or generation-node-B or eNB or evolution-node-B or access point) in signal communication with a plurality of user devices (or UE or user equipment or nodes or terminals) and operationally connected to a core network (CN) which handles non-radio tasks, such as administration, and is usually connected to a larger network such as the Internet. Embodiments may include direct user-to-user (“sidelink”) communication such as V2V (vehicle-to-vehicle) communication, V2X (vehicle-to-anything), X2X (anything-to-anything, also called D2D or device-to-device) and base station communications or V2N (vehicle-to-network). Here, “vehicle” is to be construed broadly, including any mobile wireless communication device. The time-frequency space is generally configured as a “resource grid” including a

number of “resource elements”, each resource element being a specific unit of time termed a “symbol time”, and a specific frequency and bandwidth termed a “subcarrier” (or “sub-channel” in some references). Each subcarrier can be independently modulated to convey message information. Thus a resource element, spanning a single symbol in time and a single subcarrier in frequency, is the smallest unit of a message. Each modulated resource element of a message is referred to as a “symbol” in references, but this may be confused with the same term for a time interval. Therefore, each modulated reference element of a message is referred to as a “message element” in examples below. A “demodulation reference” is a set of modulated resource elements that exhibit levels of a modulation scheme (as opposed to conveying data), and each resource element of a demodulation reference is termed a “reference element” herein. A message may be configured “time-spanning” by occupying sequential symbols at a single frequency, or “frequency-spanning” on multiple subcarriers at a single symbol time (also called “frequency-first” if the message continues on multiple symbol times). “CRC” (cyclic redundancy code) is an error-checking code. “RNTI” (radio network temporary identity) or “C-RNTI” (cell radio network temporary identification) is a network-assigned user code. “QoS” is quality of service, or priority. “QCI” (QoS class identifier) defines various performance levels. A message is “unicast” if it is addressed to a specific recipient, and “broadcast” if it includes no recipient address. Transmissions are “isotropic” if they provide roughly the same wave energy in all horizontal directions. A device “knows” something if it has the relevant information. A device “listens” or “monitors” a channel or frequency if the device receives, or attempts to receive, signals on the channel or frequency. A message is “faulted” or “corrupted” if one or more bits of the message are altered relative to the original message. “Receptivity” is the quality of reception of a message. “QPSK” (quad phase-shift keying) is a modulation scheme with two bits per message element, and 16 QAM (quadrature amplitude modulation with 16 states) is a modulation scheme with 4 bits per message element. In beamforming, a “transmission beam” is a direction of maximum transmitted radio power, and a “reception beam” is a direction of maximum received sensitivity, generally using an antenna that can be operated as a phased array with either analog or digital electronic antenna interface circuits. “Omnidirectional” refers to receiving or transmitting uniformly in all horizontal directions, or other wide angular range, not specifically directed at a particular angle. “Unidirectional” refers to transmitting or receiving with a maximum power or receptivity at a particular direction. A “synchronization signal block” (SSB) and a “first system information block” (SIB1) are system information messages that a network transmits to new user devices.

[0035] Embodiments of the systems and methods include a user device configured to determine the distance to a base station and to adjust its uplink transmission power level so that the amplitude as-received by the base station is in a prescribed range. Further embodiments include a base station configured to determine the distance to the user device and adjust its downlink transmission power level for sufficient reception by the user device. Also disclosed are charts or maps or the like, indicating regions of obstruction or poor receptivity. Alternatively, the maps or the like may indicate transmission power levels versus location, including

enhanced power levels to account for obstructions or regions of reduced receptivity, for example. A user device and/or a base station can maintain such maps or the like in non-transitory computer-readable memory, and can thereby adjust its transmission power level to provide sufficient reception. The systems and methods further include direct user-to-user messaging, with power compensation depending on the locations of the transmitting and receiving entities. Further embodiments include mobile user devices and/or base stations configured to calculate an updated distance between two entities based on a previously determined location and speed and direction of travel of the two entities, then calculate an updated power level based at least in part on the updated distance, and to transmit a message according to the updated transmission power level.

[0036] Further embodiments include a base station configured to aim transmission power toward a particular user device and to aim the base station’s antenna’s maximum sensitivity direction toward the user device. Embodiments include a user device configured to aim transmission power toward a base station and to aim the user device’s antenna’s maximum sensitivity direction toward the base station. Other embodiments include two user devices communicating in sidelink and directing their transmission energy and reception sensitivity toward each other. In each case, the directionality may be based on the relative locations of the two communicating entities.

[0037] A motivation for the systems and methods disclosed herein may include improving signal reception at longer range and among obstructions automatically, while avoiding time-consuming power scans and feedback messaging. A further motivation may be to enhance reliability by reducing message faults by providing sufficient as-received amplitude despite changing conditions. A further motivation may be to provide low latency by avoiding delays associated with non-acknowledgements and message retransmissions.

[0038] Following are examples of a mobile user device adjusting its uplink transmission power for satisfactory receptivity, based on the distance between the user device and the base station.

[0039] FIG. 1A is a schematic showing an exemplary embodiment of a mobile user device communicating with a base station, according to some embodiments. As depicted in this non-limiting example, a user device **101**, depicted as a vehicle in top view, is in communication with a base station **102**, depicted as an antenna. Locations of the user device **101** and the base station **102** are relative to a reference frame **103**, such as the geographic latitude and longitude, or other suitable frame. The distance **D 104** between the user device **101** and the base station **102** is indicated. To determine the distance **104**, the user device **101** can determine its own location using, for example, a satellite-based navigation system such as GPS, or a map, a local address, or other suitable geographical locating system. The user device **101** can also determine the location of the base station **102** using a published database of network information, or a map, or a previous registration on that base station, or a message from the base station **102**, or from another base station having the relevant data, or other suitable means for locating the base station. The user device **101** can then calculate the distance **104** according to a suitable formula, such as the square-root of: the square of the difference in latitude values, plus the square of the difference in longitude values.

[0040] The user device **101** can then determine a transmission power level according to the distance **104**. For example, the user device **101** may include (in non-transitory computer-readable memory) an algorithm, formula, computer code, tabulation, or other way of relating the transmission power level to the distance **104**. For example, the algorithm may select a lower power level for shorter distances to avoid overdriving the base station receiver, and higher power levels for longer distances to enable the base station to receive a message reliably. Using that selected power level, the user device **101** may then transmit an uplink message to the base station **102** indicating, among other data, the location of the user device **101**, or the distance calculated, or both. The base station **102** may then repeat the distance calculation and/or employ its own algorithm to determine a sufficient power level for downlink communications with the user device **101** across that distance **104**. The base station **102** may then transmit an acknowledgement to the user device **101** using that sufficient power level. In some embodiments, the uplink message and/or the acknowledgement may be transmitted according to 5G or 6G technology.

[0041] An advantage of determining the distance **104** and the selected power level before transmitting the message, may be that the message may arrive at the destination with sufficient amplitude to be reliably received, but not so much amplitude that it would overdrive the receiver or interfere with other user devices elsewhere. Another advantage may be that a time-consuming “power scan” may be avoided. (A power scan is a time-consuming iterative procedure by which the user device repeatedly transmits short messages at various power levels and the base station indicates which messages are detected and, optionally, the amplitude level received. A second power scan may then be carried out with the base station varying the downlink power and the user device indicating receptivity.) Another advantage may be that the message may be received with high reliability and low latency, by avoiding message faults due to insufficient power. A further advantage may be that the user device may avoid the delays and energy wastage involved in receiving a non-acknowledgement (or no acknowledgement within a predetermined interval) and then retransmitting the message at a higher power level.

[0042] Another advantage may be that the depicted procedures may be compatible with devices that may have difficulty complying with prior-art 5G or 6G registration procedures. Another advantage may be that the depicted procedures may be implemented as a software (or firmware) update, without requiring new hardware development, and therefore may be implemented at low cost, according to some embodiments. The procedures may be implemented as a system or apparatus, a method, or instructions in non-transitory computer-readable media for causing a computing environment, such as a user device, a base station, or other signally-coupled component of a wireless network, to implement the procedure. As mentioned, the examples are non-limiting. Other advantages may be apparent to skilled artisans after reading this disclosure. The advantages in this paragraph may apply equally to other embodiments described below.

[0043] FIG. 1B is a flowchart showing an exemplary embodiment of a procedure for a mobile user device and a base station to adjust their transmission power levels, according to some embodiments. As depicted in this non-

limiting example, at **151** a mobile user device, such as a vehicle, determines the location of a base station, such as a base station proximate to the user device. The user device may determine the base station’s location using a publicly accessible tabulation of base station locations, or a message from that base station or another base station or another transmitter, or a map of base station locations, or other way of finding the base station’s location. Then, if not sooner, the user device determines, at **152**, its own location using, for example, GPS or other means. At **153** the user device calculates the distance between itself and the base station according to the locations determined.

[0044] At **154**, the user device calculates a transmission power level to use in communicating with the base station. That calculation may employ an algorithm or formula or function or computer code or graphical correlation or interpolatable tabulation or other means for determining a suitable and sufficient power based at least in part on the distance. At **155**, the user device transmits an uplink message using the calculated power level. The transmission power level may be adjusted by adjusting an amplifier in the transmitter, or digitally by calculating a transmission waveform with a particular amplitude, or other means well known in the radio arts. In some embodiments, the uplink message may include an indication of the user device’s location, or of the calculated distance, or other data enabling the base station to adjust its power level corresponding to the distance.

[0045] At **156**, the base station receives the uplink message and adjusts its downlink transmission power level according to the distance. The base station may also check the user device’s analysis by recalculating the distance, depending on which items of information are included in the uplink message. At **157**, the base station may use an algorithm, or the like, to calculate a sufficient transmission power level based at least in part on the distance. The base station’s power level may differ from that of the user device because their antennas may be quite different, among many other differences between the base station and the user device. Then, at **158**, the base station may transmit an acknowledgement, or other message, to the user device, using the downlink power level thus determined.

[0046] The user device and the base station may thereby communicate with sufficient reliability upon their first exchanged messages, without performing power scans, and with little chance of message failure, according to some embodiments.

[0047] The systems and methods further include procedures for base stations to compensate for obscurations that may interfere with communications, based on the mobile user device location, as described in the following examples.

[0048] FIG. 2A is a sketch showing an exemplary embodiment of a mobile user device passing by an obscuration, according to some embodiments. As depicted in this non-limiting example, a first mobile user device **201**, depicted as a vehicle, communicates with a base station **202**, depicted as an antenna, while traveling on a main road **203**. A second mobile user device **204** is on the same road **203** but farther ahead. The figure shows the first user device **201** quite close to the base station **202**, while the second user device **204** is much farther from the base station **202**. The user devices **201** and **204** may be configured to determine their distance from the base station **202**, by comparing their own location to the base station’s location, and may adjust their uplink trans-

mission power levels accordingly to provide a particular signal amplitude as-received by the base station. The user devices **201** and **204** may also communicate their calculated distances to the base station **202**, so that the base station **202** can adjust its downlink transmission power higher for the shorter distance of user device **201**, and higher power for the longer distance of user device **204**, and thereby provide sufficient amplitude as-received for reliable reception by each of the user devices **201** and **204**.

[0049] In some embodiments, the first user device **201** may include, in its message to the base station **202**, an indication of its speed and direction of travel, in addition to its current location. Using that information, the base station **202** may be configured to calculate the distance to that user device **201** as a function of time. The base station **202** can then adjust its downlink transmission power level according to the time-dependent distances, and thereby deliver sufficient receptivity while avoiding the need for frequent position-updating message exchanges from the user devices **201** and **204**. In the position calculation, the base station **202** may assume that the velocity of the user device **201** remains constant at the stated value, and that the user device (if a vehicle) follows the curves of whatever road it is on, unless informed otherwise. The base station **202** may thereby calculate the distance as a function of time, and adjust its power level accordingly, without the need for frequent position-updating messages from the user devices **201** and **204**.

[0050] The figure also shows a third user device **205** on a side road **206** that passes behind an obscuration depicted as a hill **207**, which attenuates the signal. The base station **202** may calculate the location of the third user device **205** based on its speed and direction, as well as the way the side road **206** curves. The base station **202** may thereby determine that the user device **205** is about to pass behind the hill **207**, and therefore may increase the transmission power of any messages to that user device **205**. In addition, the base station **202** may calculate, based on the speed of the third user device **205**, when it is expected to emerge from the obstruction **207**, and may revert to the normal power level thereafter. In addition, the base station **202** may have previously determined (by experimentation, for example) how much to increase the transmit power, so that the third user device **205** may receive messages reliably while obscured.

[0051] FIG. 2B is a schematic showing an exemplary embodiment of a base station compensating for signal attenuation, according to some embodiments. As depicted in this non-limiting example, a map **210** of the scenario of FIG. 2A includes the first, second, and third user devices **211**, **214**, **215** on a main road **213** and a side road **216**, plus a base station **212** and a hill **217** (in dash). Also shown is a region of reduced receptivity **218** (stipple) in which messages transmitted from the base station **212** are attenuated by the obscuration **217**. The region of reduced receptivity **218** is determined, in this case, by the size of the hill **217**, which subtends an angle **219** as viewed by the base station **212**, at a distance **220** from the base station **212**. Hence, as discussed, the base station **212**, after receiving a message from the third user device **215** indicating its location and speed and direction, can determine that the third user device is on the section of the side road **216** that curves behind the obstruction **217**. In addition, the base station **212** can calculate the times that the third user device **215** is expected to enter and exit the region of reduced receptivity **218**. Accord-

ingly, the base station **212** may increase its transmission power to an enhanced power level greater than the normal power level for that distance, and may transmit messages to the third user device **215** according to the enhanced power level while it is obscured, and may thereby compensate the attenuation, while the third user device **215** remains obscured. As mentioned, the base station **212** may have previously determined, from experiments for example, an attenuation level or an enhanced transmission power level, and thus to determine by how much to increase the power to keep the received message amplitudes roughly the same for mobile user devices inside and outside the region of reduced receptivity **218**.

[0052] Mobile wireless users are generally quite familiar with the “dead zones” along the routes they routinely travel, where receptivity is poor. The base stations serving the area can generate an area map, such as that depicted but extending throughout a region. The area map may include contour levels or the like, indicating the degree of signal attenuation at each region, as viewed by each base station. Alternatively, the map may indicate what level of power is needed for adequate reception at each point in the area as viewed by the base station. Each base station can then adjust its power accordingly so that messages to user devices passing through each obscuration zone are properly received. Each base station’s receptivity map may also indicate regions where the reception from that base station is so poor that the user device may be better served by another base station. In that case, the initial base station can arrange a hand-off to the other base station as the user device is approaching the obscuration, so that the user device can have uninterrupted service.

[0053] FIG. 2C is a flowchart showing an exemplary embodiment of a procedure for a mobile user device and a base station to compensate for signal obscuration, according to some embodiments. As depicted in this non-limiting example, at **251**, a mobile user device determines its own location, speed, and direction of travel using, for example, speed, satellite navigation, a speedometer, and an electronic compass. At **252**, the user device transmits a message with this information to a base station. At **253**, the base station compares the location with a map (or database of road locations, contained in non-transitory computer-readable memory) to determine which road the user device is on. The base station may also check that the direction and speed are consistent with the road, and other consistency tests. At **254**, the base station calculates a formula for the distance to the user device versus time, based on the speed. The base station may also take into account current traffic conditions, known changes in the road such as curves, and other factors that may influence the position extrapolation. Then at **255**, the base station may have a message to send to the user device, and may calculate the distance from the base station to the user device at that moment using the formula, or according to the road map, or otherwise. Optionally, the base station may also monitor the amount of background noise or interference that may degrade the reception of the message. The base station may then determine how much transmitter power is required to transmit the message so that the user device will likely receive it without fault, based at least in part on the distance and/or the current background level, and then may transmit the message.

[0054] At **256**, the user device has changed direction or speed, and therefore may transmit an uplink message to the

base station informing it of the change. Using that updated information, at 257, the base station may calculate that the user device is about to pass behind a known obscuration. Alternatively, at 258, the user device may transmit a message indicating that it is about to pass behind an obscuration or is about to enter a known “dead zone” based, for example, on past experience. In either case, at 259, the base station may transmit a downlink message to the user device using increased transmitter power, to overcome the attenuation caused by the obscuration. At 260, the base station may determine that the user device has likely exited from the obscuration zone according to its stated speed, and therefore the base station may resume transmissions to the user device with the normal power level.

[0055] In this way a base station, or a core network attached to multiple access points, may keep track of the positions and receptivity of the various mobile user devices that they serve, and may increase or decrease transmission power to compensate for obstructions, and may thereby provide communications with relatively constant reliability as the user devices move around.

[0056] The systems and methods further include procedures for user devices to communicate directly with each other, not involving a base station. The user devices in such a sidelink communication may adjust their transmission power to provide sufficient reception to other user devices based on location, as described in the following examples.

[0057] FIG. 3A is a schematic showing an exemplary embodiment of vehicles communicating with power compensation, according to some embodiments. As depicted in this non-limiting example, a first vehicle 301 is in communication with a second, third, and fourth vehicle 302, 303, 304 on a highway 300, as well as a pedestrian 305. The figure shows the distances 312, 313, 314 from the first vehicle 301 to the second, third, and fourth vehicles 302, 303, 304 respectively, and the distance 315 to the pedestrian 305.

[0058] Since the various entities are at different distances, the first vehicle 301 may transmit individual messages to them, each with a different power level, so that each receiving entity can receive each message with sufficient amplitude for reliable reception, but without wasting energy on excessively powerful transmissions. For example, the first vehicle 301 may broadcast a message indicating its location and optionally its speed and direction. The other entities 302-305 may receive that message and may reply by transmitting or broadcasting a responsive message specifying their own locations, and optionally their speeds and directions. (Such messages may assist the other vehicles in avoiding collisions, for example.) Thus each of the entities 301-305 can calculate the distance from itself to each other entity in the figure, and can determine a transmission power level according to the calculated distance, to provide sufficient message receptivity. In addition, if the speed and direction information are provided in the messages, each of the entities 301-305 can calculate future locations and future distances, and thereby can adjust the transmission power level for sufficient reception of future messages. For example, the first and third vehicles 301, 303 are on the same side of the highway 300 and therefore are likely traveling in the same direction and approximately the same speed, whereas the fourth vehicle 304 is traveling in the opposite direction as indicated by an arrow. The first vehicle 301 may determine that the distance between itself and the third

vehicle 303 is likely constant or slowly varying, whereas the distance to the fourth vehicle 304 is likely changing very rapidly due to their opposite directions. In addition, the first vehicle 301 may determine that the distance 315 between itself and the pedestrian 305 may be changing slowly at first, since the location of the pedestrian 305 is nearly perpendicular to the direction of travel of the first vehicle 301, but that the distance will likely increase geometrically as the first vehicle 301 proceeds down the highway 300.

[0059] FIG. 3B is a flowchart showing an exemplary embodiment of a procedure for a mobile user device to compensate for distance, according to some embodiments. As depicted in this non-limiting example, a mobile user device User-1 communicates with a User-2 to adjust transmission power according to the distance between them. At 351, User-1 determines its own location, speed, and direction of motion, and at 352 broadcasts a message indicating those values to other user devices in range. At 353, the other user devices determine their locations, speeds, and directions, then broadcast messages indicating those values. All of the user devices receive each other’s messages and determine from them the locations, speeds, and directions of the various devices.

[0060] At 354, User-1 calculates the distance to each of the other user devices according to their locations, and also determines formulas indicating the location of each user device versus time according to its speed and direction. For example, User-1 can determine a first time elapsed since User-1 determined its own location, and a second time elapsed since receiving the location message from a User-2. User-1 can assume that the speed remains constant unless informed of a change in speed. User-1 can then calculate the expected location of itself and of User-2 at the current time according to the elapsed times, speeds, and directions of the two entities, respectively. If User-1 has access to a map, such as an electronic roadmap for example, then User-1 can determine which road each user device is currently on based on the stated location, and can assume that each user device will remain on the same road until informed of a change, and therefore can project or calculate the position of each user device along each of the roads versus time including curves. It may not be necessary to assume that the direction of a user device remains constant because the road may curve; instead, the rate of travel along the road may be assumed to be constant.

[0061] At 355, User-1 has a message for User-2, and therefore User-1 calculates the expected location of User-2 at that time, based on User-2’s stated initial location, speed, and direction, and based on the amount of time passed since User-2 transmitted its location message. User-1 may also determine its own position, which may have changed since User-1 transmitted its location message. Using that updated information, User-1 then calculates the current distance to User-2, and adjusts its transmission power accordingly. For example, User-1 may have a formula or algorithm or the like to determine a suitable transmission power level to use for satisfactory reception at the calculated distance. Then, at 356, User-1 transmits the message to User-2 with the power set according to the level so determined.

[0062] The systems and methods further include message formats for user devices to indicate their locations, and other information, to a base station and/or to other user devices, as disclosed in the following examples.

[0063] FIG. 4A is a schematic showing an exemplary embodiment of a message format for user devices to indicate locations to base stations, according to some embodiments. As depicted in this non-limiting example, a user location update message 400, for a mobile user device to indicate its location to a base station, may include a message-type field 403, an identification code 404, a location field 405, an optional speed field 406, an optional direction field 407, an optional set of flags 408, and an optional error-check field 409. The message-type field 403 may include a code indicating that the message 400 is a location message including speed and direction. The identification field 404 may include a code such as the C-RNTI code or MAC address or other identifying code of the user device. The location field 405 may include the latitude and longitude of the user device, or a code related to the geographical coordinates. For example, it may not be necessary, in a local application, to include the full-degree portions of the latitude and longitude because the radio range of the base station is generally much less than 100 km corresponding roughly to one degree, over most of the surface of the Earth. In addition, depending on the spatial resolution required, it may not be necessary to indicate the coordinates to high precision. For example, a code including just the third, fourth, and fifth digit after the decimal point in decimal-degree notation may be sufficient to provide meter-scale resolution within a kilometer range, which may be sufficient for traffic applications and industrial automation applications, among others.

[0064] The speed field 406 may indicate the speed of the user device in units of, for example, meters per second. The direction field 407 may indicate the compass heading of the user device, or other measure of the direction of travel. This may be encoded as four bits providing an angular resolution of 22.5 degrees, or other encoding depending on the angular resolution required. The flags 408 may indicate, among many other things, whether the user device is accelerating, decelerating, or maintaining a constant velocity, which may help the receiving entity to extrapolate future positions. The error-check field 409 may include a parity code or a CRC or other code configured to reveal message faults.

[0065] FIG. 4B is a schematic showing an exemplary embodiment of a message format for user devices to indicate locations to other user devices, according to some embodiments. As depicted in this non-limiting example, a sidelink location update message 410 may be broadcast by a mobile user device to inform other mobile and fixed user devices of the transmitting user device's location and motion. In this example, a base station is not involved. The message 410 may include an optional "carrier" field 411 with unmodulated carrier signal, a demodulation reference 412, an address field 413, a location field 414, and a motion field 415 including speed and direction.

[0066] The carrier field 411 may be provided to assist other user devices in determining the frequency of the rest of the message. The frequency may be affected by drifts in the time-base of the transmitting or receiving user device, Doppler shifts in frequency due to the motions of the user devices, and other effects. The carrier field 411 may enable the receiving entity to adjust its time-base for optimal reception of the rest of the message. The demodulation reference 412 may be a regular DMRS (demodulation reference signal) which is generally encoded in a complex way. Alternatively, the demodulation reference 412 may be a low-complexity short-format demodulation reference with

two reference elements, configured to exhibit the maximum and minimum amplitude levels, and the maximum and minimum phase levels, of the modulation scheme, from which the remaining levels can be calculated by interpolation. Alternatively, the short-format demodulation reference 413 may include four reference elements, exhibiting all of the amplitude levels and phase levels of 16 QAM, or all of the phase levels in QPSK, for example, so that no interpolation is needed. Providing the demodulation reference 412 within the message 410 may assist the other user devices in demodulating the rest of the message.

[0067] The address field 413 may include a wireless address such as a user-selected code of 8 or 12 or 16 bits, configured to be different for each of the user devices in range of each other, for example. The location field 414 may include the latitude and longitude of the user device, optionally abbreviated as described above. The motion fields 415 may indicate the speed and direction of the user device, as described above. Mobile user devices such as vehicles in traffic may exchange sidelink location update messages as shown to inform each other of their presence, location, and motion, so that the other user devices can transmit to them using an appropriate power level, and so that collision-avoidance software can use the data to construct a local traffic map and thereby detect imminent collisions, among other uses.

[0068] FIG. 5A is a schematic showing an exemplary embodiment of a message format for a base station to indicate its location to user devices, according to some embodiments. As depicted in this non-limiting example, a modified SSB (synchronization signal block) 500 in 5G/6G includes 4 symbol times and 240 consecutive subcarriers, all modulated in QPSK. Within the message 500 are a PSS (primary synchronization signal) of 127 subcarriers, a SSS (secondary synchronization signal) also 127 subcarriers, and four regions with PBCH (physical broadcast channel) which, in this context, includes the MIB (master information block). The PSS, SSS, and PBCH(MIB) provide system information that a user device may require, in order to receive messages on a particular cell. The remaining two regions, indicated as 501 and 502, are unassigned in 5G/6G.

[0069] In the depicted embodiment, a demodulation reference is inserted into the first unassigned region 501, to assist user devices in demodulating the rest of the message, and a location is inserted into the second unassigned region 502, indicating the latitude and longitude of the base station (or the antenna of the base station). The full geographical location of the base station may include eight digits for each of the latitude and longitude in decimal degrees, for example, thereby providing about one-meter resolution. The number of bits needed for this resolution is about 53 or 54 depending on encoding, or 27 resource elements at QPSK. Thus the full geographical coordinates can fit within the second region 502, which includes 56 or 57 subcarriers. Thus the base station can indicate, in its SSB message, its location at meter-scale resolution, with no increase in the bandwidth required, and no increase in the time required, for the message.

[0070] FIG. 5B is a schematic showing another exemplary embodiment of a message format for base stations to indicate locations to user devices, according to some embodiments. As depicted in this non-limiting example, another modified SSB message 510 may include the usual PSS-SSS-PBCH(MIB) structure, plus four new items in the previously

unallocated fields of the first symbol time. The modified SSB message **510** may include a short-form demodulation reference **511**, shown in the four highest-frequency subcarriers, followed by the latitude value **512**. After the PSS, the longitude value **513** is shown followed by another short-form demodulation reference **514** in the lowest-frequency subcarriers. Each of the short-form demodulation references **511** and **514** is four consecutive reference elements of the message **510**, modulated according to all four values of the phase used in the modulation scheme. (There is no amplitude modulation in QPSK). By providing the short-form demodulation references at the highest and lowest frequency subcarriers, within the message body **510**, the rest of the message may be demodulated despite interference and noise. For example, each element of the message **500** may be compared to an interpolated, or weighted average, of the modulation levels exhibited in the short-format demodulation references **511** and **514**. Since the demodulation references **511** and **514** are generally affected by noise and interference in the same way as the rest of the message, each message element may be demodulated according to the interpolated average of the two demodulation references **511** and **514**, thereby mitigating the noise and interference including frequency-dependent noise and interference, according to some embodiments.

[0071] As another option, the location data may be included in or appended to the PBCH by declaring a new format that includes the latitude and longitude of the base station.

[0072] As a further example, the location information may be included with or appended to an SIB1 message, which is a message broadcast periodically by the base station indicating how new users can transmit messages to the base station. By receiving the SSB or the SIB1 message modified to include the base station's latitude and longitude, new user devices can thereby determine the location of the base station.

[0073] FIG. 5C is a schematic showing an exemplary embodiment of a low-complexity message format for a base station to indicate its location to user devices, according to some embodiments. As depicted in this non-limiting example, in a low-complexity SSB message **520**, the bandwidth may be reduced to that required for transmitting the PSS and SSS portions, and the size of the PBCH portions may be reduced by reducing the number and complexity of parameters, and a fifth symbol **521** may be added. The fifth symbol **521** may contain the latitude and longitude, and optionally other data, of the base station.

[0074] Alternatively, the location data may be included in the PBCH, and a fifth symbol may be added to accommodate the PBCH with the location data included.

[0075] An advantage of providing the base station location in the SSB message may be to inform each new arrival user device of the base station's location before the user device attempts to acquire further system information and begin transmitting to the base station. An advantage of placing two short-form demodulation references at the top and bottom subcarriers may be that frequency-dependent interference and external noise can be mitigated by comparing the phase of each message element to the two short-form demodulation references **511** and **514** or to an interpolated average of the corresponding phase values. An advantage of informing user devices of the base station's location may be that the user devices can then adjust their transmit power for satis-

factory reception at the base station without a power scan. An advantage of including the base station's location information in an SIB1 message instead of the SSB message may be that the SSB message may remain unmodified.

[0076] The systems and methods disclosed herein further include location-based beamforming, in which a base station and a user device are in communication, and each entity determines the location of the other entity, calculates a direction based on the difference between their locations, and aims a unidirectional transmission or reception beam toward the other.

[0077] FIG. 6A is a sketch showing an exemplary embodiment of a user device communicating with a base station, according to some embodiments. As depicted in this non-limiting example, a user device **601**, depicted as a computer, is in communication with a wireless network base station **602**, depicted as an antenna, in a coordinate system **603** with north indicated as "N". The user device **601** and the base station **602** each determines its own location, such as latitude and longitude, or other measure of location that the other entity can recognize. An angle **605** indicates the direction from the user device **601** toward the base station **602** relative to north, and another angle **606** indicates the angle from the base station **602** toward the user device **601**, relative to the coordinate system **603** or north. Alternatively, and equivalently, the line **604** between the two entities indicates the direction of the base station **602** as viewed by the user device **601**, and also the direction of the user device **601** as viewed by the base station **602**. If the user device **601** and the base station **602** both know their own location, and they also know the location of the other entity, then they can calculate the angles **605-606**, and thereby determine the direction toward the other entity.

[0078] FIG. 6B is a sketch showing an exemplary embodiment of a non-mobile user device communicating with a base station using directed beams, according to some embodiments. As depicted in this non-limiting example, a non-mobile user device **611** and a base station **612** can communicate unidirectionally. The user device **611** and the base station **612** can exchange messages indicating their own locations. The user device **611** can then calculate an angle **615** toward the base station **612** and prepare a transmission or reception uplink beam **617** (stippled figure emanating from the user device **611**) aimed according to the direction of the base station. Likewise, the base station **612** can calculate the angle **616** toward the user device **611** and prepare a transmission or reception downlink beam **618** aimed in the direction toward the user device **611**. The user device **611** and the base station **612** can then communicate unidirectionally thereafter by transmitting and receiving messages according to their beams **617, 618**.

[0079] As mentioned, a transmission beam is a directional distribution of emitted radio energy (comprising electromagnetic waves) with a maximum power in a particular direction, and the transmission beam is "aimed at" a second entity by arranging the particular direction to be the direction toward the second entity. Likewise, a reception beam is a directional distribution of received radio energy with a maximum receptivity in a particular direction, and the reception beam is aimed at a second entity by arranging the particular direction to be the direction toward the second entity. A transmission or reception beam is "prepared" by arranging electronics in a multi-part antenna to direct the

maximum emitted power, or the maximum receiver sensitivity, in the particular direction.

[0080] In some embodiments, the base station **612** may indicate its own location in an SSB or SIB1 system information message, which the base station **612** may periodically broadcast omnidirectionally, and the user device **611** can receive omnidirectionally and thereby determine the location of the base station **612**. Alternatively, the base station may transmit its location data to the user device **611** in a separate message, such as an RAR (random access response) message or a Msg4 (fourth initial-access message) or supplementary system information messages or a separate message, for example. The user device **611** can then calculate the angle **615** toward the base station **612** and thereby determine a direction toward the base station **612**, prepare an uplink transmission beam **617** aimed toward (in the direction of) the base station **612** according to the angle **615**, and then transmit an uplink message unidirectionally. The uplink message may be one of the 5G/6G initial access messages, such as the random access preamble or the Msg3 (third initial-access message), but modified to indicate the location of the user device **611**. Alternatively, the user device **611** may transmit a separate message later, after the initial access procedure has been completed, indicating the location of the user device **611**. In either case, the base station **612** can thereby determine the location of the user device **611**, calculate the angle **616** toward the user device **611** (and hence the direction toward the user device **611**), and prepare a downlink transmission or reception beam **618** aimed at the user device **611** by adjusting electronics in the base station's antenna.

[0081] In other embodiments, the user device **611** may determine the location of the base station **612** before receiving messages from the base station **612**. For example, the user device **611** may read the location from a network database or other tabulation of base station information, or by remembering a previous registration on the base station **612**, or informed by communication with some other base station, for example. In each case, the user device **611** can calculate the angle **615** toward the base station **612** and the associated direction, and can prepare a downlink reception beam **617** aimed at the base station **612** before receiving the SSB and SIB1 messages, and may thereby obtain enhanced signal quality in receiving those messages.

[0082] In other embodiments, the user device **611** may indicate its location in a broadcast omnidirectional message, such as a hailing message, or other message requesting a reply from proximate base stations. In that case, a replying base station can indicate its location in its reply message. Then, based on their relative locations, the two entities can exchange messages unidirectionally thereafter, that is, using transmission and reception beams aimed at the other entity.

[0083] In other embodiments, the user device **611** may be incapable of transmitting or receiving unidirectionally, whereas the base station **612** may have an articulated (or multi-part) antenna and suitable electronics to transmit and receive unidirectionally. In that case, the user device **611** may transmit a message to the base station **612** indicating the user device's location so that the base station **612** can transmit and receive unidirectionally. The user device **611** may continue to receive and transmit omnidirectionally.

[0084] In other embodiments, two base stations in different cells may communicate unidirectionally with each other, by first determining each other's locations, calculating a

direction toward the other, and transmitting or receiving unidirectionally thereafter. The base stations may thereby communicate with each other without interfering with user devices that are operational on the same frequency band, since the directional transmissions and receptions may be made narrow and focused on the other base station, thereby limiting the power required, and also minimizing stray radiation such as side-lobes and the like.

[0085] FIG. 6C is a flowchart showing an exemplary embodiment of a procedure for a user device to communicate with a base station using directed beams, according to some embodiments. As depicted in this non-limiting example, at **651** a user device determines its own location using, for example, GPS or other satellite-based navigation system, or by a known address or map, or pre-programmed in the user device, or other means for determining a location. At **652**, the user device determines the location of a base station (or more preferably, the base station's antenna) using, for example, messages from the base station indicating its location, or by reading an entry in a network database or other tabulation of base station information, or by other means for determining the location of the base station. The user device can then calculate an angle toward the base station relative to north or another coordinate standard, and thereby determine a direction toward the base station. At **653**, the user device can aim an uplink transmission beam at the base station's direction relative to the user device's position, and can transmit an uplink message to the base station using the transmission beam. For example, the user device may include an articulated or sectioned or phased-array or other type of directional antenna, and may drive the antenna electronics so as to transmit power nonuniformly, with a maximum emitted power density in the direction of the base station. The message may indicate the location of the user device, or the angle of the base station relative to the user device, or 180 degrees plus the angle of the base station relative to the user device (modulo 360 degrees) or other indication or data enabling the base station to calculate the direction toward the user device relative to the base station.

[0086] At **654**, the base station has received the message and determined the user device's location. The base station can then calculate an angle or direction toward the user device from the base station relative to a geographical direction such as north. At **655**, the base station can then aim a downlink transmission beam toward the user device, according to the angle of the user device from the base station, and can then transmit, unidirectionally and unicast, an acknowledgement or other message to the user device.

[0087] Optionally, at **656**, the user device and/or the base station may request a beam scan to perform a fine-adjustment or confirmation of the transmission or reception direction. The optimal direction may differ (usually only slightly) from the location-based angles due to scattering or reflections or other effects on the transmitted energy. However, since the location-based directions (determined from the locations of the user device and the base station) are already known to the entities, and the optimal beam directions are likely very close to the location-based directions, a full scan may not be needed. Instead, an abbreviated beam scan may be sufficient, for example by varying the transmission or reception beam angle on both sides of the location-based angle and determining whether the reception increased. In some embodiments, the abbreviated beam scan may include just three transmissions, with the transmission or reception

beam aimed according to the location-based angle, the location-based angle plus a small amount, and the location-based angle minus the small amount. The small amount may be a predetermined amount such as 2 or 5 or 10 or 20 degrees, for example. If the abbreviated scan indicates that the best reception is obtained at an angle other than the location-based angle, or other unexpected result occurs, the user device or the base station may request a full beam scan.

[0088] In another embodiment, a user device may be in communication with a base station, and the base station may be capable of beamforming as discussed, but the user device may be incapable of beamforming due to lack of a directional antenna. In that case, the user device may transmit, omnidirectionally, a message to the base station indicating the user device's location. The base station may receive the message, determine a direction toward the user device, and transmit a directional beamed reply to the user device. The two entities may continue to communicate in similar fashion, with the user device transmitting and receiving non-directionally, and the base station transmitting and receiving using beams aimed at the user device. The base station may thereby save energy and reduce generation of backgrounds by transmitting downlink messages in a transmission beam. In addition, the user device may reduce its transmitted power due to the increased sensitivity of the base station's reception beam. In addition, both entities may obtain increased reliability and reduced message faults due to the exclusion, by the base station's transmission and reception beams, of radio source outside the directed beams.

[0089] FIG. 7A is a sketch showing an exemplary embodiment of a mobile user device communicating with a base station using directed beams, according to some embodiments. As depicted in this non-limiting example, a mobile user device 701 may communicate with a base station 702 while driving on a road 703 which, in this case, happens to point north. The mobile user device 701 has determined an angle 705 toward the base station 702 and arranged an uplink transmission or reception beam 707 aimed at the base station 702. The base station 702 has determined another angle 706 toward the mobile user device 701 and prepared a downlink transmission or reception beam 708 aimed at the mobile user device 701. The two entities 701-702 may then communicate unidirectionally. Each entity prepares a directional beam by powering various sections of a multi-part antenna so as to provide the maximal transmitted power or the maximal received sensitivity in a particular direction, as mentioned.

[0090] FIG. 7B is a sketch showing an exemplary embodiment of a mobile user device communicating with a base station using directed beams after moving, according to some embodiments. As depicted in this non-limiting example, the mobile user device 711 has now traveled along the road 713 relative to the position in FIG. 7A. Knowing its own location, the mobile user device 711 can then recalculate the direction 715 toward the base station and revise the uplink transmission or reception beam 717 accordingly to remain aimed at the base station 712 despite the motion. In addition, the base station 712, knowing the speed and direction of the mobile user device 711, can calculate the new location of the user device 711 versus time by assuming, for example, that its speed and direction of travel remain constant during the elapsed interval. Based on the updated location of the mobile user device 711, the base station 712 can then recalculate the angle 716 toward the mobile user

device 711, and can then rearrange the downlink transmission or reception beam 718 accordingly, to remain aimed at the mobile user device 711. The base station 712 may continue to determine the location of the mobile user device 711 periodically by such a calculation, without the need for the mobile user device 711 to transmit an updated location message or to perform a beam scan, thereby saving time and energy.

[0091] If, on the other hand, the mobile user device 711 changes speed significantly, the mobile user device 711 may then transmit an updated location, speed, and direction of travel message (that is, a message indicating the updated location, speed, and direction of travel of the user device) to the base station 712. In this context, "changes speed significantly" includes changing speed, relative to the previously reported speed, by a sufficient amount and for a sufficient interval, that the downlink transmission or reception beam 718 would be directed away from the actual location of the mobile user device 711. The mobile user device 711 may calculate how large the accumulated location error has become between its actual location and the calculated location that base station 712 may have calculated. For example, the mobile user device 711 may integrate its speed over time and determine how far the resulting value differs from that obtained by assuming a constant speed. If the accumulated position error has increased sufficiently to cause the transmission or reception beam to miss the mobile user device 711, then the mobile user device 711 may calculate a corrected angle toward the base station 712 based on its actual location, and may then re-aim the uplink beam to be directed toward the base station 712, and transmit an updated location, speed, and direction of travel message. Likewise, the base station 712 can redirect its downlink beams according to the updated location of the mobile user device 711.

[0092] FIG. 7C is a sketch showing an exemplary embodiment of a mobile user device communicating with a base station using directed beams after turning, according to some embodiments. As depicted in this non-limiting example, a mobile user device 721, traveling along a curved road 723, has turned relative to the previous examples. The mobile user device 721 may include a compass or gyro or other device indicating the orientation of the mobile user device 721. The mobile user device 721 may then redirect its uplink transmission or reception beam 727 toward the location of the base station 722 accordingly (that is, compensating for the turn). In addition, the mobile user device 721 may transmit an updated location, speed, and direction of travel message to the base station 722, indicating the change in direction.

[0093] In another embodiment, the base station 722 may include a digital map including the locations and directions of roads within its range, and may have determined, from the original location message for example, that the mobile user device is on a particular road, such as the curved road 723. For example, the base station may include a map such as a digital map in memory, or other information resource that correlates locations with roads or other physical structures, and may thereby determine which road the user device 721 is on. Hence, the base station 722 may have determined which road the mobile user device 721 is on based on location and the map, without the mobile user device 721 explicitly indicating which road it is on. The base station 722 may then calculate a time at which the mobile user device

721 will turn, based on its speed and the shape of the road **723**. The base station **722** may thereby calculate the location of the mobile user device **721** at subsequent times, including turns in the road **723**. In that case, the base station **722** can recalculate the angle toward the mobile user device **721** after the turn, and may thereby maintain the downlink transmission or reception beam **728** aimed at the mobile user device **721** as the user device **721** travels, without the need for a further message indicating the location, speed, and direction of travel of the mobile user device **721**, as long as the mobile user device **721** proceeds predictably along the road **723**.

[0094] An advantage of a mobile user device informing a base station of the location, speed, and direction of travel of the mobile user device may be that the base station may maintain communication with the mobile user device with transmission and reception beams, by calculating and updating the angle toward the mobile user device over time, and adjusting the beam direction accordingly. An advantage of the base station determining a particular road that the mobile user device is on, may be that the base station may calculate and update the angle toward the mobile user device as the mobile user device proceeds along the road.

[0095] FIG. 7D is a flowchart showing an exemplary embodiment of a procedure for a mobile user device to communicate with a base station using directed beams, according to some embodiments. As depicted in this non-limiting example, at **751** a mobile user device determines its own location, speed, and direction of travel, and also determines a location of a base station (or other wireless entity). At **752**, the mobile user device calculates an angle toward the base station and transmits an uplink message beamed toward the base station, the message indicating the location, speed, and direction of travel of the mobile user device. At **753**, the base station receives the message and calculates an angle toward the mobile user device, prepares a downlink transmission beam aimed at the mobile user device, and transmits an acknowledgement message (or other message) to the mobile user device.

[0096] At **754**, the mobile user device has driven farther along a road for an interval of time at a constant speed, and therefore has changed location. The user device then recalculates the direction toward the base station based on the changed location of the user device, adjusts the uplink transmission or reception beams, and transmits a second message. At **755**, the base station has calculated the new location of the mobile user device assuming that the speed and direction of travel have remained constant during the interval, and thereby adjusts its transmission and reception beams to remain aimed at the mobile user device. The base station then receives the second message.

[0097] At a later time **756**, the mobile user device reaches a turn in the road, and the mobile user device follows the road, turning accordingly. The mobile user device determines its changing direction of travel using, for example, a gyro or compass or by interpreting images of the surrounding scene. The mobile user device thereby corrects the angle of its uplink beam to remain aimed at the base station. At **757**, the base station has determined which road the mobile user device is on, based on its earlier location message for example, and has used a map (or equivalent information) to determine that the mobile user device has likely turned, following the road. Optionally, the base station may also know, from past data or from current traffic conditions, where the mobile user device is expected to slow down or

speed up. Using current traffic conditions, for example, the base station can recalculate the expected speed as a function of time, including traffic slowdowns and the like, and may thereby determine the mobile user node's current location by integrating the speed over time. The base station can then continue to calculate the mobile user device's location and can continue to keep the downlink beam aimed at the mobile user device, and can thereby continue unidirectional communication, without performing a beam scan and without further exchange of location, speed, and direction messages, unless the speed or direction of travel changes differently from what the base station expects according to the road and traffic conditions.

[0098] In another embodiment, two mobile user devices may be in motion and may be communicating with each other. One or both of the mobile user devices may include a map or equivalent, indicating routes of travel. One or both of the mobile user devices may be capable of beamforming. In that case, the two mobile user devices may exchange messages indicating their location, speed, and direction of travel. The two mobile user devices may calculate, based on those messages, a distance between the two mobile user devices, an angle and direction toward the other mobile user device as a function of time, and optionally a route of travel for each mobile user device based on the map or maps. In addition, the mobile user devices that are capable of beamforming may prepare transmission and reception beams aimed at the other mobile user device according to the calculated direction. One or both mobile user devices may update those beams as the relative positions and orientations of the two mobile user devices change over time by calculating the relative positions and by following a route on the map, for example. The mobile user devices may thereby save energy, improve reliability, save time, and reduce interference generation, while avoiding additional beam scanning and additional location messages, according to some embodiments.

[0099] FIG. 8A is a sketch showing an exemplary embodiment of mobile user devices communicating in sidelink using directed beams, according to some embodiments. As depicted in this non-limiting example, three user devices **801**, **802**, **803**, depicted as mobile industrial robots **801-802** or fixed industrial machinery **803**, are in communication with each other, using sidelink messaging with beamforming. Each user device **801**, **802**, **803** includes a beamforming antenna **804**, **805**, **806** capable of unidirectional transmission and reception. Each user device **801**, **802**, and **803** has determined its location using, for example, GPS or other satellite-based navigation system. Alternatively, when the user devices **801-803** are inside a building, a short-range interior locating system may be provided so that the user devices **801-803** can determine their positions locally, not dependent on satellite signals. For example, the short-range locating system may include transmitting radio signals or ultrasound or light pulses or other energy detectable by each user device, or by providing markers such as a location grid painted on a floor or ceiling, or an electromagnetic grid embedded in the floor or ceiling, for example. In the example, the user devices **801**, **802**, and **803** have exchanged messages indicating their locations and, optionally, their planned routes of travel and speeds. The user devices **801**, **802**, **803** may also (or alternatively) transmit their location messages to a supervisor entity such as a central computer,

and the supervisor entity may then provide that location data available to each user device.

[0100] One of the depicted user devices **803** is an item of fixed (non-mobile) machinery **803**, and therefore may not need to transmit location messages (as long as the mobile entities already know the location of the non-mobile entity). The user devices **801**, **802**, **803** may communicate with each other using sidelink unicast unidirectional messaging, by calculating the current position of other user devices and arranging transmission and reception beams accordingly. More specifically, the first user device **801** may calculate its current location, and may also determine the location of the second user device **802** by exchanging location messages (or by interrogating a central data repository of user device locations, or by calculating where the second user device **802** is supposed to be at a given time based on a prior location and motion message, or otherwise determine the second user device's location).

[0101] The first user device **801** may then calculate an angle toward the second user device **802**, based on the second user device's location, and may thereby establish a transmission and reception beam **807** aimed at the second user device **802**. Likewise, the second user device **802** may calculate, or determine by message exchange, the location of the first user device **801**, and thereby direct a transmission or reception beam **808** toward the first user device **801**. In a similar fashion, the second and third user devices **802**, **803** may direct their unidirectional beams **809**, **810** toward each other. The second user device **802** is shown with two unidirectional beams **808** and **809**. The second user device **802** may maintain both beams by rapidly alternating reception between the two directions, or by digitally analyzing received signals to separately resolve signals from the first and third user devices **801**, **803** or with another suitable electronic or software means for receiving signals from the other two user devices **801**, **802** concurrently. Not shown, but also possible, the first and third user devices **801**, **803** may direct beams toward each other.

[0102] An advantage of fixed and mobile industrial robots, and other autonomously cooperating wireless entities, communicating with each other in sidelink unidirectional communications, may be that they can cooperate in performing their separate tasks more effectively, by exchanging location and motion messages and directing transmission and reception beams at each other. More specifically, mobile robots may cooperate with each other, and with fixed machinery, while avoiding collisions, by exchanging location messages so that the other robots can determine where each device is located, without the need for beam scanning. In addition, a central or supervisory entity can keep track of the operations by monitoring the location and motion messages, and thereby manage the operations more effectively than without that information.

[0103] FIG. 8B is a flowchart showing an exemplary embodiment of a procedure for mobile user devices communicating in sidelink using directed beams, according to some embodiments. As depicted in this non-limiting example, at **851** three industrial user devices, user-1, user-2, and user-3, determine their own locations by satellite signals, or by internal signals localized to a building, or otherwise. At **852**, each user device broadcasts its location information omnidirectionally so that all other user devices in proximity can determine each item's location. At **853**, each of the user devices calculates an angle, based on its own

location and the location of another user device, and aims a transmission or reception beam toward the other user device. At **854**, user-1 determines the location of user-2, prepares a transmission beam toward user-2 by programming antenna elements (or other suitable beamforming system), and thereby transmits a unicast message unidirectionally, toward user-2. At **855**, user-2 receives the message using, for example, a directed reception beam aimed at user-1. Responsive to the message, at **855**, user-2 switches from receive mode to transmit mode, so that its beam is then configured to direct a transmission toward user-1, and then transmits an acknowledgement to user-1.

[0104] At **856**, optionally, user-2 may then communicate with user-3 by determining the location of user-3, calculating an angle toward user-3, preparing a transmission beam aimed at user-3, and transmitting another message to user-3. Likewise, user-3 may have prepared a reception beam aimed at user-2 and may thereby receive the message from user-2.

[0105] An advantage of mobile, autonomous, robotic industrial devices communicating with each other, including specifying their locations and optionally their motions in messages, may be that the devices may thereby direct beamformed messages to each other, and thereby cooperate in avoiding collisions and other problems. Using such beamformed messaging, the devices may also collaborate in accomplishing their tasks more effectively than they could without the location-based directional communications. Another advantage may be that a supervisory entity, monitoring the communications as well as other measurements of activity, may detect incipient problems in time to avoid them, thereby keeping a steady rapid pace of operations.

[0106] 5G, and especially 6G, have enormous potential for communications between mobile user devices and other entities, such as base stations, vehicles in traffic, roadside devices, industrial robots, and innumerable other applications for low-cost wireless communication. The systems and methods disclosed herein are intended to provide means for user devices in motion to cooperate by exchanging location information messages, thereby enabling beamformed transmission and reception toward each other, based on the location information. Further disclosed systems and methods may enable user devices to exchange speed and direction of travel information, from which other user devices may calculate subsequent locations of each participating user device. In addition, sidelink communications between user devices may benefit from similar location disclosures. These protocols may thereby provide readily applicable solutions to longstanding limitations of communications with mobile devices, enabling many wireless applications that would be unfeasible, absent the systems and methods disclosed herein.

[0107] The systems and methods may be fully implemented in any number of computing devices. Typically, instructions are laid out on computer readable media, generally non-transitory, and these instructions are sufficient to allow a processor in the computing device to implement the method of the invention. The computer readable medium may be a hard drive or solid state storage having instructions that, when run, or sooner, are loaded into random access memory. Inputs to the application, e.g., from the plurality of users or from any one user, may be by any number of appropriate computer input devices. For example, users may employ vehicular controls, as well as a keyboard, mouse, touchscreen, joystick, trackpad, other pointing device, or

any other such computer input device to input data relevant to the calculations. Data may also be input by way of one or more sensors on the robot, an inserted memory chip, hard drive, flash drives, flash memory, optical media, magnetic media, or any other type of file—storing medium. The outputs may be delivered to a user by way of signals transmitted to robot steering and throttle controls, a video graphics card or integrated graphics chipset coupled to a display that maybe seen by a user. Given this teaching, any number of other tangible outputs will also be understood to be contemplated by the invention. For example, outputs may be stored on a memory chip, hard drive, flash drives, flash memory, optical media, magnetic media, or any other type of output. It should also be noted that the invention may be implemented on any number of different types of computing devices, e.g., embedded systems and processors, personal computers, laptop computers, notebook computers, net book computers, handheld computers, personal digital assistants, mobile phones, smart phones, tablet computers, and also on devices specifically designed for these purpose. In one implementation, a user of a smart phone or Wi-Fi-connected device downloads a copy of the application to their device from a server using a wireless Internet connection. An appropriate authentication procedure and secure transaction process may provide for payment to be made to the seller. The application may download over the mobile connection, or over the Wi-Fi or other wireless network connection. The application may then be run by the user. Such a networked system may provide a suitable computing environment for an implementation in which a plurality of users provide separate inputs to the system and method.

[0108] It is to be understood that the foregoing description is not a definition of the invention but is a description of one or more preferred exemplary embodiments of the invention. The invention is not limited to the particular embodiments(s) disclosed herein, but rather is defined solely by the claims below. Furthermore, the statements contained in the foregoing description relate to particular embodiments and are not to be construed as limitations on the scope of the invention or on the definition of terms used in the claims, except where a term or phrase is expressly defined above. Various other embodiments and various changes and modifications to the disclosed embodiment(s) will become apparent to those skilled in the art. For example, the specific combination and order of steps is just one possibility, as the present method may include a combination of steps that has fewer, greater, or different steps than that shown here. All such other embodiments, changes, and modifications are intended to come within the scope of the appended claims.

[0109] As used in this specification and claims, the terms “for example”, “e.g.”, “for instance”, “such as”, and “like” and the terms “comprising”, “having”, “including”, and their other verb forms, when used in conjunction with a listing of one or more components or other items, are each to be construed as open-ended, meaning that the listing is not to be considered as excluding other additional components or items. Other terms are to be construed using their broadest reasonable meaning unless they are used in a context that requires a different interpretation.

1. Non-transitory computer-readable media in a base station of a wireless network comprising instructions that, when implemented, cause the base station to perform a method comprising:

- a. determining a particular location corresponding to the base station or to an antenna of the base station; and
 - b. broadcasting a synchronization signal block (“SSB”) message comprising system information about the wireless network, and further comprising an indication of the particular location as determined in the determining step.
2. The media of claim 1, wherein the SSB message is broadcast according to 5G or 6G technology.
3. The media of claim 1, wherein the SSB message comprises:
- a. a first orthogonal frequency-division multiplexing (“OFDM”) symbol comprising a primary synchronization signal (“PSS”) message, and further comprising the indication of the particular location;
 - b. a second OFDM symbol comprising a portion of a physical broadcast channel (“PBCH”) message;
 - c. a third OFDM symbol comprising a secondary synchronization signal (“SSS”) message; and
 - d. a fourth OFDM symbol comprising a further portion of the PBCH message.
4. The media of claim 3, wherein:
- a. each OFDM symbol comprises a plurality of subcarriers, each subcarrier comprising a different frequency; and
 - b. the indication of the particular location occupies subcarriers not occupied by the PSS.
5. The media of claim 4, wherein:
- a. the first OFDM symbol further comprises one or more demodulation reference signals; and
 - b. the demodulation reference signals occupy subcarriers not occupied by the PSS and not occupied by the indication of the particular location.
6. The media of claim 4, wherein the indication of the particular location comprises geographical latitude and longitude coordinates of an antenna of the base station.
7. The media of claim 6, wherein:
- a. the PSS occupies a particular set of subcarriers;
 - b. a first coordinate, of the latitude and longitude coordinates, is encoded in subcarriers lower in frequency than the particular subcarriers; and
 - c. a second coordinate, of the latitude and longitude coordinates, is encoded in subcarriers higher in frequency than the particular subcarriers.
8. The media of claim 1, wherein:
- a. the SSB message comprises five OFDM symbols;
 - b. a first OFDM symbol comprises a PSS message;
 - c. a second OFDM symbol, following the first OFDM symbol, comprises a portion of a PBCH message;
 - d. a third OFDM symbol, following the second OFDM symbol, comprises an SSS message;
 - e. a fourth OFDM symbol, following the third OFDM symbol, comprises a further portion of the PBCH message; and
 - f. a fifth OFDM symbol, following the fourth OFDM symbol, comprises the indication of the particular location.
9. A user device of a wireless network, the user device in signal communication with a base station, the user device configured to:
- a. determine a broadcast frequency on which the base station transmits a system information message;
 - b. receive, on the broadcast frequency, a system information message broadcast by the base station, the system

- information message comprising system information of the wireless network, the system information message further comprising an indication of a first location, the first location corresponding to geographic coordinates of the base station or an antenna of the base station;
 - c. extract, from a predetermined OFDM symbol of the system information message, and a predetermined set of subcarriers of the system information message, the indication of the first location, and
 - d. determine, from the indication of the first location, the geographical coordinates of the base station or the antenna of the base station.
- 10.** The user device of claim **9**, wherein:
- a. the system information message is an SSB message; and
 - b. the first location comprises geographical latitude and longitude coordinates of the base station or the antenna of the base station.
- 11.** The user device of claim **10**, wherein:
- a. the indication of the first location is encoded in a plurality of subcarriers, each subcarrier comprising a different frequency; and
 - b. the indication of the first location is transmitted in a single OFDM symbol of the system information message.
- 12.** The user device of claim **10**, further configured to:
- a. receive, simultaneously with the indication of the first location, one or more demodulation reference signals; and
 - b. demodulate, according to the demodulation reference signals, the indication of the first location.
- 13.** The user device of claim **10**, further configured to:
- a. determine a second location comprising geographical coordinates of the user device;
 - b. prepare, according to the first location and the second location, a transmission beam aimed at the first location; and
 - c. transmit, using the transmission beam, an access request message comprising a request for access to the wireless network;
 - d. wherein the access request message further comprises an indication of the second location.
- 14.** The user device of claim **13**, further configured to:
- a. determine an angular orientation of the user device relative to a fixed geographical direction, the angular orientation comprising a compass reading or a heading direction of the user device; and
 - b. adjust, according to the angular orientation of the user device, the transmission beam aimed at the first location.
- 15.** The user device of claim **14**, further configured to:
- a. determine that the user location has changed, and responsively transmit an update message to the base

- station, the update message indicating an updated location of the user device; and
 - b. determine that the angular orientation of the user device has changed, and responsively adjust the transmission beam to cause the transmission beam to continue to be aimed at the first location.
- 16.** A method for aligning a first wireless transmission beam from a first mobile entity toward a second mobile entity, the method comprising:
- a. broadcasting, by the first mobile entity, a first informational message, the first informational message comprising data comprising properties of the first mobile entity, the first informational message further comprising a first location of the first mobile entity;
 - b. receiving, from the second mobile entity, a second informational message, the second informational message comprising data comprising properties of the second mobile entity, the second informational message further comprising a second location of the second mobile entity;
 - c. calculating, by the first mobile entity, according to the first location and the second location, an angle toward the second mobile entity from the first mobile entity; and
 - d. transmitting, in a first transmission beam aimed according to the angle, a third message.
- 17.** The method of claim **16**, wherein:
- a. the first informational message is broadcast non-directionally by the first mobile entity; and
 - b. the second informational message is transmitted by the second mobile entity in a second transmission beam, the second transmission beam aimed from the second mobile entity toward the first mobile entity.
- 18.** The method of claim **17**, wherein:
- a. the first location comprises latitude and longitude coordinates of the first mobile entity; and
 - b. the second location comprises latitude and longitude coordinates of the second mobile entity.
- 19.** The method of claim **17**, wherein the first informational message comprises:
- a. a header or type code indicating that the message is an informational message comprising geographical coordinates;
 - b. an identification code of the first mobile entity; and
 - c. a latitude and a longitude comprising the first location.
- 20.** The method of claim **17**, further comprising:
- a. determining, by the first mobile entity, that the first mobile entity has turned or rotated by a particular angle;
 - b. calculating a revised angle toward the second mobile entity; and
 - c. adjusting the first transmission beam to be aimed according to the revised angle.

* * * * *